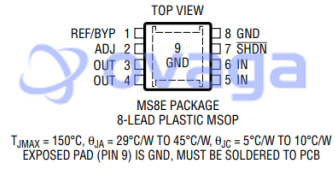


IC REG LDO ADJ 0.2A 8MSOP

Manufacturers	Analog Devices, Inc
Package/Case	MSOP-8
Product Type	Power Management ICs
RoHS	Pb-free Halide free
Lifecycle	



Images are for reference only

Please submit RFQ for LT3062EMS8E#PBF or [Email to us: sales@ovaga.com](mailto:sales@ovaga.com) We will contact you in 12 hours. [RFQ](#)

General Description

The LT3062 is a micropower, low dropout (LDO) linear regulator that operates over a 1.6V to 45V supply range and is available in a series of fixed output and adjustable versions. The device supplies 200mA of output current with a typical dropout voltage of 300mV. A single external capacitor provides programmable low noise reference performance and output soft-start functionality. The LT3062's quiescent current is merely 45µA and provides fast transient response with a minimum 3.3µF output capacitor. In shutdown, quiescent current is less than 1µA and the reference soft start capacitor is reset.

The LT3062 optimizes stability and transient response with low ESR, ceramic output capacitors. The LT3062 does not require the addition of ESR as is common with other regulators.

Internal protection circuitry includes reverse-battery protection, reverse-output protection, reverse-current protection, current limit with foldback and thermal shutdown.

The LT3062 is available in fixed output voltages of 3.3V and 5V, and as an adjustable device with an output voltage range from the 600mV reference up to 40V. The LT3062 is offered in the thermally enhanced 8-lead 2mm × 3mm DFN and MSOP packages.

Features

Input Voltage Range: 1.6V to 45V

Output Current: 200mA

Quiescent Current: 45 μ A

Dropout Voltage: 300mV

Low Noise: 30 μ VRMS (10Hz to 100kHz)

Adjustable Output>

Fixed Output Voltages: 3.3V, 5V

Output Tolerance: \pm 2% Over Load, Line, and Temperature

Single Capacitor Soft-Starts Reference and Lowers Output Noise

Shutdown Current: < 1 μ A

Reverse Battery Protection

Current Limit Foldback and Thermal Limit Protection

8-Lead 2mm \times 3mm DFN and MSOP Packages

Application

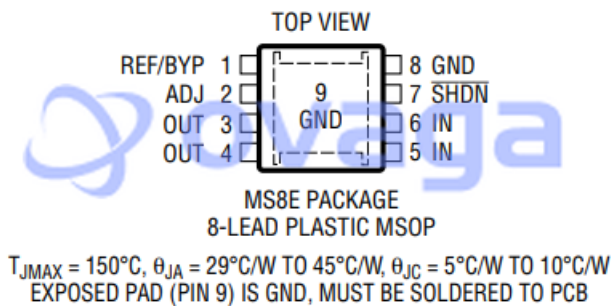
Battery Powered Systems

Automotive Power Supplies

Industrial Power Supplies

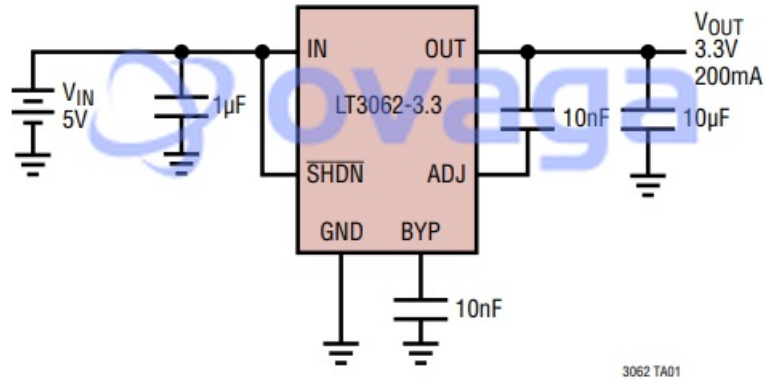
Avionic Power Supplies

Portable Instruments

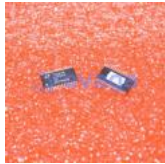


TYPICAL APPLICATION

3.3V Low Noise Regulator



Related Products



[LT3763EFE](#)

Analog Devices, Inc
TSSOP28



[LTC4417IUF](#)

Analog Devices, Inc
QFN-24



[LTC1966CMS8#PBF](#)

Analog Devices, Inc
MSOP-8P



[LTM8045EY#PBF](#)

Analog Devices, Inc
BGA40



[LT1038CK](#)

Analog Devices, Inc
TO-3



[LTC3440EMS](#)

Analog Devices, Inc
MSOP10



[LTC2990IMS#PBF](#)

Analog Devices, Inc
10MSOP



[LT4295IUFD#PBF](#)

Analog Devices, Inc
28-WFQFN