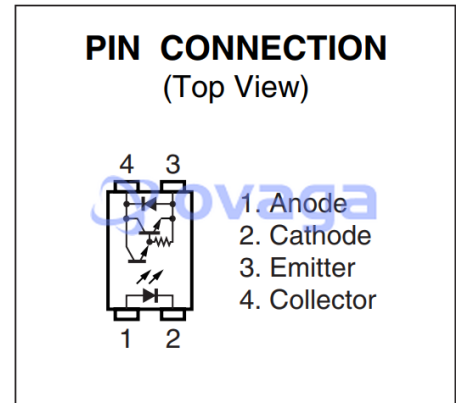


HIGH COLLECTOR TO EMITTER VOLTATGE HIGH ISOLATION VOLTAGE  
MULTI PHOTOCOUPLER SERIES

Manufacturers	<u>Renesas Technology Corp</u>
Package/Case	SOP4
Product Type	Optocouplers / Photocouplers
RoHS	Rohs
Lifecycle	



Images are for reference only

Please submit RFQ for PS2533L-1-F3-A or [Email to us: sales@ovaga.com](mailto:sales@ovaga.com) We will contact you in 12 hours.

[RFQ](#)

## General Description

### Features

High collector to emitter voltage>

High Isolation voltage>

High current transfer ratio>

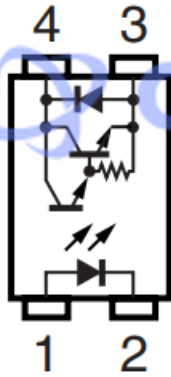
High-speed switching (t

r

Ordering number of tape product: PS2533L-1-F3: 2 000 pcs/reel

Safety standards UL approved: No. E72422 CSA approved: No. CA 101391 (CA5A, CAN/CSA-C22.2 60065, 60950) BSI approved: No. 8221/8222 SEMKO approved: No. 903238 NEMKO approved: No. P09210868 DEMKO approved: No. 314999 FIMKO approved: No. FI 25119 DIN EN60747-5-2 (VDE0884 Part2) approved: No. 40008862 (Option)

# PIN CONNECTION (Top View)



1. Anode
2. Cathode
3. Emitter
4. Collector

## Related Products



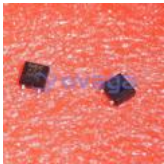
### [PS9821-2-F3-AX](#)

Renesas Technology Corp  
SOP8



### [PS2505L-4-A](#)

Renesas Technology Corp  
SSOP-16



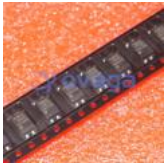
### [PS7241E-1A-F3-A](#)

Renesas Technology Corp  
SOP4



### [PS2505L-1-F3-A](#)

Renesas Technology Corp  
SOP4



### [PS2505L-1-A](#)

Renesas Technology Corp  
SOP4



### [PS2805C-4-F3-A](#)

Renesas Technology Corp  
SSOP-16



### [PS2801C-1-A](#)

Renesas Technology Corp  
SSOP-4



### [PS2501L-1-A](#)

Renesas Technology Corp  
DIP-4