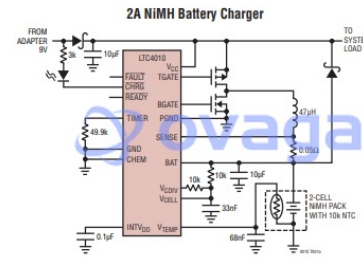


IC CHARGER NIMH/NICD 16-TSSOP

Manufacturers	Analog Devices, Inc
Package/Case	16TSS
Product Type	Power Management ICs
RoHS	Pb-free Halide free
Lifecycle	



Images are for reference only

Please submit RFQ for LTC4010CFE#PBF or [Email to us: sales@ovaga.com](mailto:sales@ovaga.com) We will contact you in 12 hours.

[RFQ](#)

General Description

The LTC4010 provides a complete, cost-effective nickel battery fast charge solution in a small package using few external components. A 550kHz PWM current source controller and all necessary charge initiation, monitoring and termination control circuitry are included.

The LTC4010 automatically senses the presence of a DC adapter and battery insertion or removal. When an external DC source is not present, the LTC4010 enters shutdown and supply current drawn from an installed battery drops to the lowest possible level. Heavily discharged batteries are precharged with a trickle current. The LTC4010 can simultaneously use both $-\Delta V$ and $\Delta T/\Delta t$ fast charge termination techniques and can detect various battery faults. If necessary, a top-off charge is automatically applied to NiMH batteries after fast charging is completed. The IC will also resume charging if the battery self-discharges after a full charge cycle.

All LTC4010 charging operations are qualified by actual charge time and maximum average cell voltage. Charging may also be gated by minimum and maximum temperature limits. NiMH or NiCd fast charge termination parameters are pin selectable.

Features

Complete NiMH/NiCd Charger for 1 to 16 Cells

No Microcontroller or Firmware Required

550kHz PWM Current Source Controller

No Audible Noise with Ceramic Capacitors

Wide Input Voltage Range: 5.5V to 34V

Programmable Charge Current: 5% Accuracy

Automatic Trickle Precharge

Optional $\Delta T/\Delta t$ Fast Charge Termination

Optional Temperature Qualification

Automatic NiMH Top-Off Charge

Programmable Timer

Automatic Recharge

Multiple Status Outputs

Micropower Shutdown

16-Lead Thermally Enhanced TSSOP Package

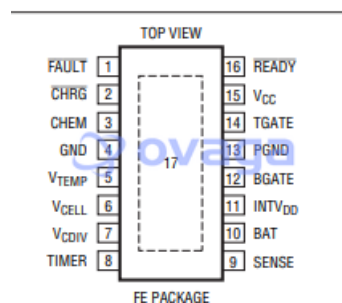
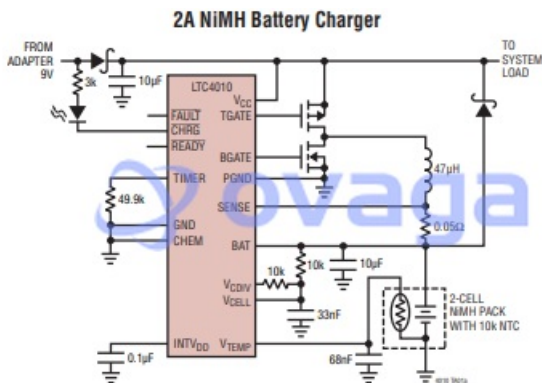
Application

Integrated or Standalone Battery Charger

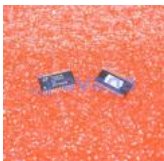
Portable Instruments or Consumer Products

Battery-Powered Diagnostics and Control

Back-Up Battery Management



Related Products



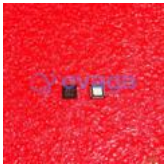
[LT3763EFE](#)

Analog Devices, Inc
TSSOP28



[LT1038CK](#)

Analog Devices, Inc
TO-3



[LTC4417IUF](#)

Analog Devices, Inc
QFN-24



[LTC3440EMS](#)

Analog Devices, Inc
MSOP10



[LTC1966CMS8#PBF](#)

Analog Devices, Inc
MSOP-8P



[LTC2990IMS#PBF](#)

Analog Devices, Inc
10MSOP



[LTM8045EY#PBF](#)

Analog Devices, Inc
BGA40



[LT4295IUFD#PBF](#)

Analog Devices, Inc
28-WFQFN