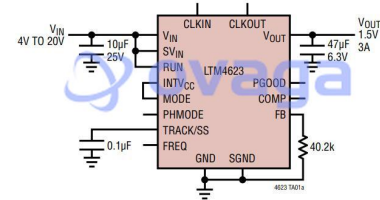


MOD DC/DC REG 3A 25BGA

Manufacturers	Analog Devices, Inc
Package/Case	BGA-25
Product Type	Power Management ICs
RoHS	
Lifecycle	

3A, 1.5V Output DC/DC μ Module[®] Step-Down Regulator



Images are for reference only

Please submit RFQ for LTM4623EY#PBF or [Email to us: sales@ovaga.com](mailto:sales@ovaga.com) We will contact you in 12 hours.

[RFQ](#)

General Description

The LTM4623 is a complete 3A step-down switchingmode μ Module (micromodule) regulator in a tiny ultrathin $6.25\text{mm} \times 6.25\text{mm} \times 1.82\text{mm}$ LGA and $6.25\text{mm} \times 6.25\text{mm} \times 2.42\text{mm}$ BGA packages. Included in the package are the switching controller, power FETs, inductor and support components. Operating over an input voltage range of 4V to 20V or 2.375V to 20V with an external bias supply, the LTM4623 supports an output voltage range of 0.6V to 5.5V, set by a single external resistor. Its high efficiency design delivers 3A continuous output current. Only ceramic input and output capacitors are needed.

The LTM4623 supports selectable discontinuous mode operation and output voltage tracking for supply rail sequencing. Its high switching frequency and current mode control enable a very fast transient response to line and load changes without sacrificing stability.

Fault protection features include overvoltage, overcurrent and overtemperature protection.

The LTM4623 is available with SnPb (BGA) or RoHS compliant terminal finish.

Features

Wide Input Voltage Range: 4V to 20V

Input Voltage Down to 2.375V with External Bias

0.6V to 5.5V Output Voltage

3A DC Output Current

Current Mode Control, Fast Transient Response

Low EMI EN55022 Class B Compliant

External Frequency Synchronization

Multiphase Operation with Current Sharing

Output Voltage Tracking

Selectable Discontinuous Mode

Power Good Indicator

Overvoltage, Overcurrent and Overtemperature Protection

Ultrathin (6.25mm × 6.25mm × 1.82mm) LGA Package and (6.25mm × 6.25mm × 2.42mm) BGA Package

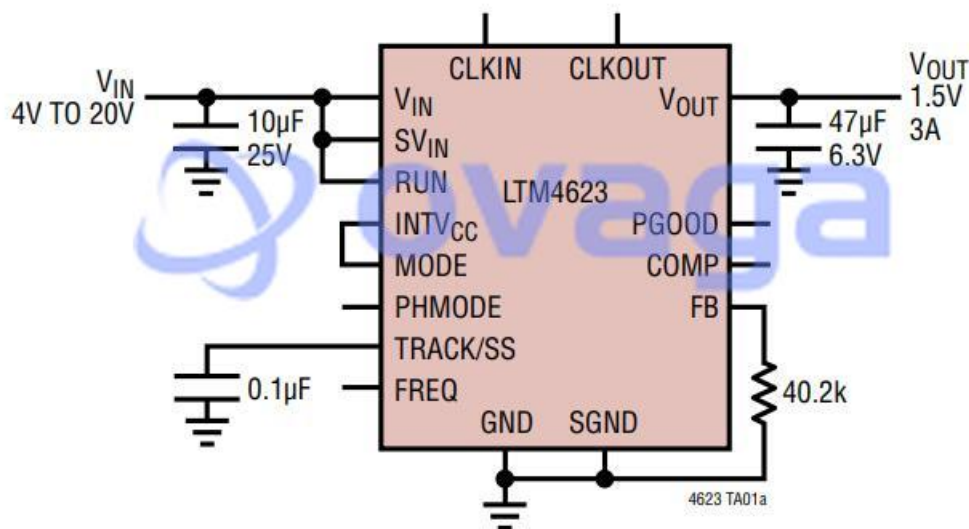
Application

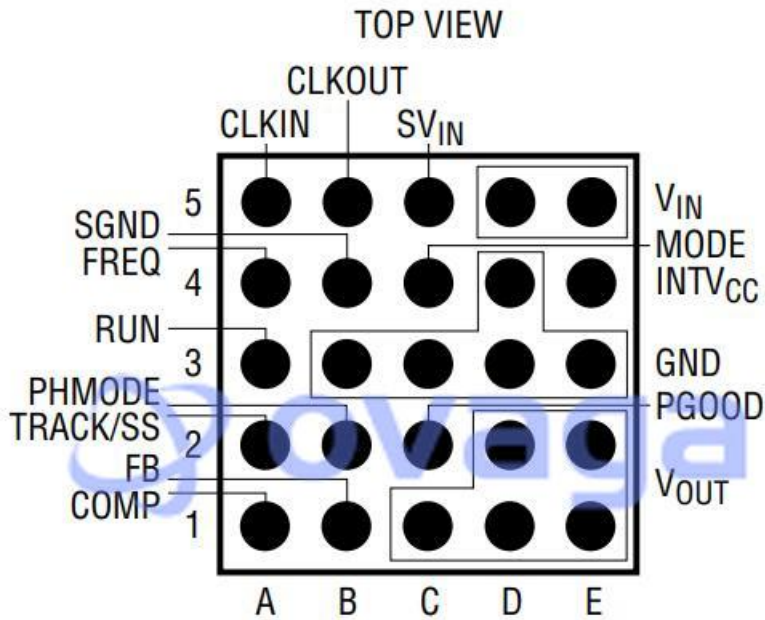
PCIe and Backside PCB Mounting

Telecom, Datacom, Networking and Industrial Equipment

Data Storage Rack Units and Cards

3A, 1.5V Output DC/DC μ Module[®] Step-Down Regulator





LGA PACKAGE 25-LEAD (6.25mm × 6.25mm × 1.82mm)
 BGA PACKAGE 25-LEAD (6.25mm × 6.25mm × 2.42mm)

$T_{JMAX} = 125^{\circ}\text{C}$, $\theta_{JCtop} = 17^{\circ}\text{C/W}$, $\theta_{JCbottom} = 11^{\circ}\text{C/W}$,
 $\theta_{JB} + \theta_{BA} = 22^{\circ}\text{C/W}$, $\theta_{JA} = 22^{\circ}\text{C/W}$,
 θ_{JA} DERIVED FROM 95mm × 76mm PCB WITH 4 LAYERS
 θ VALUES DETERMINED PER JESD51-12, WEIGHT = 0.5g

Related Products



[LT3763EFE](#)

Analog Devices, Inc
 TSSOP28



[LT1038CK](#)

Analog Devices, Inc
 TO-3



[LTC4417IUF](#)

Analog Devices, Inc
 QFN-24



[LTC3440EMS](#)

Analog Devices, Inc
 MSOP10



[LTC1966CMS8#PBF](#)

Analog Devices, Inc
 MSOP-8P



[LTC2990IMS#PBF](#)

Analog Devices, Inc
 10MSOP



[LTM8045EY#PBF](#)

Analog Devices, Inc
 BGA40



[LT4295IUFD#PBF](#)

Analog Devices, Inc
 28-WFQFN