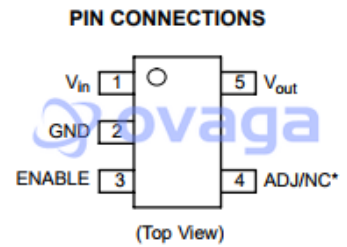


High Performance Low-Power, LDO Regulator with Enable, Low Dropout (LDO) Regulators
SBN BE VOLTAGE REG

Manufacturers	ON Semiconductor, LLC
Package/Case	TSOP-5
Product Type	Power Management ICs
RoHS	Rohs
Lifecycle	



Images are for reference only

Please submit RFQ for NCP600SN330T1G or [Email to us: sales@ovaga.com](mailto:sales@ovaga.com) We will contact you in 12 hours.

[RFQ](#)

General Description

Application

ONSEMI

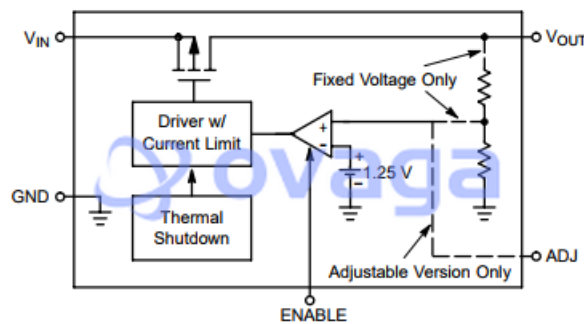
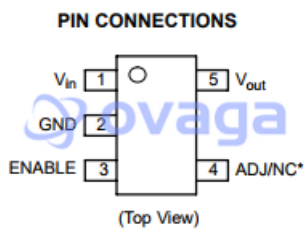


Figure 1. Simplified Block Diagram

Related Products



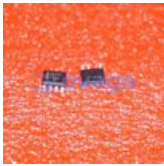
[NCP603SN330T1G](#)

ON Semiconductor, LLC
TSOP-5



[NCP1399ACDR2G](#)

ON Semiconductor, LLC
SOP16



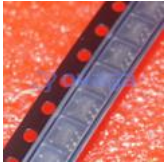
[NCP1234AD65R2G](#)

ON Semiconductor, LLC
SOIC-7



[NCP3334DADJR2G](#)

ON Semiconductor, LLC
SOIC-8



[NCP551SN18T1G](#)

ON Semiconductor, LLC
SOT-23-5



[NCP330MUTBG](#)

ON Semiconductor, LLC
UDFN-4



[NCV4274ADS50R4G](#)

ON Semiconductor, LLC
SOT263



[NCP1252ADR2G](#)

ON Semiconductor, LLC
SOIC-8