

IC CPLD 108MC 15NS 84PLCC

Manufacturers	AMD Xilinx, Inc
Package/Case	84-LCC (J-Lead)
Product Type	Programmable Logic ICs
RoHS	
Lifecycle	



Images are for reference only

Please submit RFQ for XC95108-15PCG84C or [Email to us: sales@ovaga.com](mailto:sales@ovaga.com) We will contact you in 12 hours.

RFQ

General Description

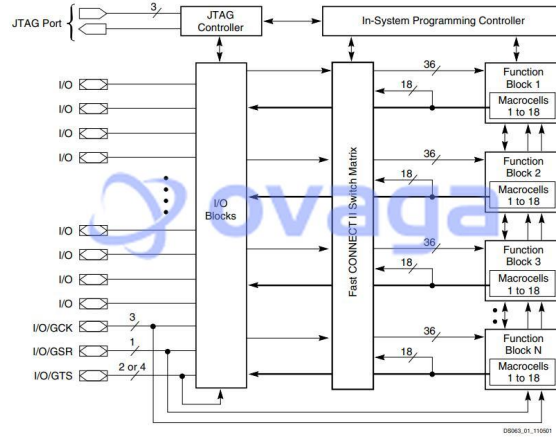
XC95108-15PCG84C is a type of Complex Programmable Logic Device (CPLD) manufactured by Xilinx, a leading supplier of programmable logic solutions.

Features

- It has a 108 macrocell count.
- It operates with a 5V power supply.
- It has a maximum propagation delay of 15ns.
- It has a programmable security bit to protect against unauthorized programming.

Application

- It is commonly used in industrial control systems.
- It can also be used in telecommunications equipment.
- It is often used for bus interface control, address decoding, and system glue logic.

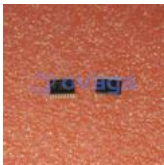


Related Products



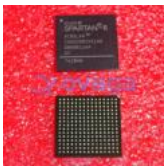
[XC18V01S020C](#)

AMD Xilinx, Inc
SOP-20



[XCF04SV0G20C](#)

AMD Xilinx, Inc
TSSOP20



[XC6SLX4-2CSG225C](#)

AMD Xilinx, Inc
BGA-225



[XCV50-6BG256C](#)

AMD Xilinx, Inc
BGA256



[XCF08PV0G48C](#)

AMD Xilinx, Inc
TSOP-48



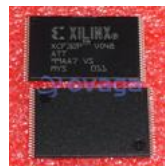
[XC6SLX25-3FTG256C](#)

AMD Xilinx, Inc
BGA-256



[XC6SLX16-3CSG324C](#)

AMD Xilinx, Inc
BGA-324



[XCF32PVO48C](#)

AMD Xilinx, Inc
TSOP48