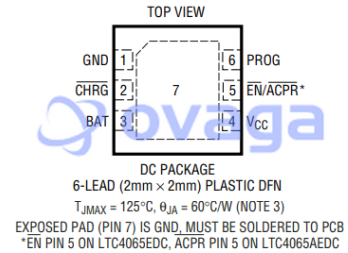


Linear Battery Charger Li-Ion 500mA 4.2V 6-Pin DFN EP T/R

Manufacturers	Analog Devices, Inc
Package/Case	DFN-6P
Product Type	Power Management ICs
RoHS	Pb-free Halide free
Lifecycle	



Images are for reference only

Please submit RFQ for LTC4065EDC#TRMPBF or [Email to us: sales@ovaga.com](mailto:sales@ovaga.com) We will contact you in 12 hours.

[RFQ](#)

General Description

The LTC4065 is a complete constant-current/constant-voltage linear charger for single-cell lithium-ion batteries. Its 2mm × 2mm DFN package and low external component count make the LTC4065 especially well-suited for portable applications. Furthermore, LTC4065 is specifically designed to work within USB power specifications.

The CHRG pin indicates when charge current has dropped to ten percent of its programmed value (C/10). An internal timer terminates charging according to battery manufacturer specifications.

No external sense resistor or blocking diode is required due to the internal MOSFET architecture. Thermal feedback regulates charge current to limit the die temperature during high power operation or high ambient temperature conditions.

When the input supply (wall adapter or USB supply) is removed, the LTC4065 automatically enters a low current state, dropping battery drain current to less than 1µA. With power applied, LTC4065 can be put into shutdown mode, reducing the supply current to less than 20µA.

The full-featured LTC4065 also includes automatic recharge, low-battery charge conditioning (trickle charging), soft-start (to limit inrush current) and an open-drain status pin to indicate the presence of an adequate input voltage (LTC4065A only).

The LTC4065 is available in a tiny 6-lead, low profile (0.75mm) 2mm × 2mm DFN package.

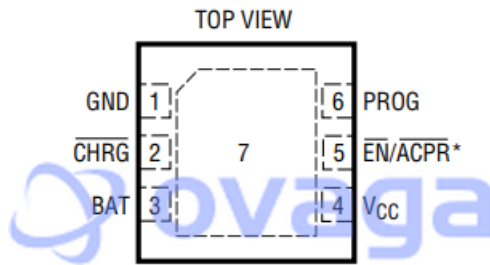
Float Voltage (V) Charge Current Range Pin 5 Is EN or ACPR Trickle Charge
 LTC4065 4.2V 40mA to 750mA EN Yes LTC4065A 4.2V 40mA to 750mA ACPR Yes
 LTC4065L 4.4V 40mA to 750mA EN Yes LTC4065L4 4.2V 8mA to 250mA EN Yes
 LTC4065LX 4.2V 8mA to 250mA EN Yes
 LTC4065L-4.1V 8mA to 250mA EN Yes

Features

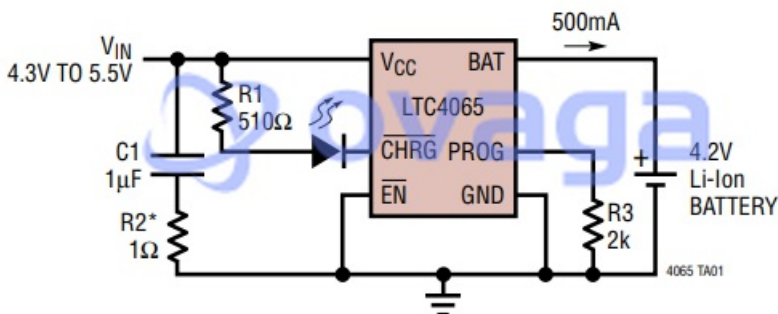
- Complete Linear Charger in $2\text{mm} \times 2\text{mm}$ DFN Package
- C/10 Charge Current Detection Output Timer Termination
- Charge Current Programmable up to 750mA with 5% Accuracy
- No External MOSFET, Sense Resistor or Blocking Diode Required
- Preset 4.2V Float Voltage with 0.6% Accuracy
- Constant-Current/Constant-Voltage Operation with
- Thermal Feedback to Maximize Charging Rate Without Risk of Overheating
- ACPR Pin Indicates Presence of Input Supply (LTC4065A Only)
- Charge Current Monitor Output for Gas Gauging
- Automatic Recharge
- Charges Single Cell Li-Ion Batteries Directly from USB Port
- $20\mu\text{A}$ Supply Current in Shutdown Mode
- Soft-Start Limits Inrush Current
- Tiny 6-Lead ($2\text{mm} \times 2\text{mm}$) DFN Package

Application

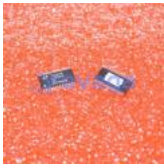
- Wireless PDAs
- Cellular Phones
- Portable Electronics



Standalone Li-Ion Battery Charger

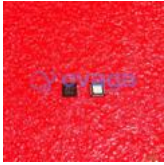


Related Products



[LT3763EFE](#)

Analog Devices, Inc
TSSOP28



[LTC4417IUF](#)

Analog Devices, Inc
QFN-24



[LTC1966CMS8#PBF](#)

Analog Devices, Inc
MSOP-8P



[LTM8045EX#PBF](#)

Analog Devices, Inc
BGA40



[LT1038CK](#)

Analog Devices, Inc
TO-3



[LTC3440EMS](#)

Analog Devices, Inc
MSOP10



[LTC2990IMS#PBF](#)

Analog Devices, Inc
10MSOP



[LT4295IUFD#PBF](#)

Analog Devices, Inc
28-WFQFN