

256K (32K x 8) Static RAM; Density: 256 Kb; Organization: 32Kb x 8; Vcc (V): 3.0 to 3.6 V; SRAM 32Kx8 SRAM 3.3V

Manufacturers	<u>Infineon Technologies Corporation</u>
Package/Case	SOJ-28
Product Type	Memory
RoHS	Rohs
Lifecycle	



Images are for reference only

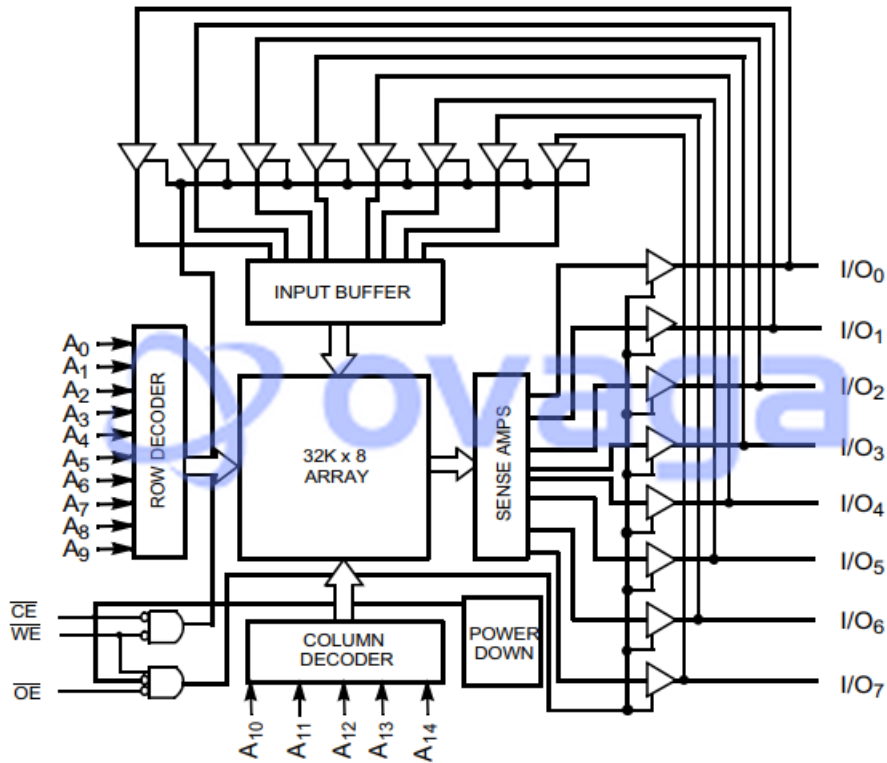
Please submit RFQ for CY7C1399BN-12VXIT or [Email to us: sales@ovaga.com](mailto:sales@ovaga.com) We will contact you in 12 hours.

[RFQ](#)

General Description

Ovaga has a large stock of CY7C1399BN-12VXIT Memory from Infineon Technologies Corporation and we guarantee that they are original, brand new parts sourced directly from Infineon Technologies Corporation. We can provide quality testing reports for CY7C1399BN-12VXIT upon your request. To obtain a quote, simply fill in the required quantity, contact name, and email address in the quick quote form on the right. Our sales representative will contact you within 12 hours.





Related Products



[CY7C1021DV33-10ZSXI](#)

Infineon Technologies Corporation
TSOP-44



[CY62256NLL-55ZXI](#)

Infineon Technologies Corporation
TSOP-28



[CY62148EV30LL-45ZSXI](#)

Infineon Technologies Corporation
TSSOP-32



[CY62167DV30LL-55ZXI](#)

Infineon Technologies Corporation
TSOP-48



[CY62157EV30LL-45ZSXI](#)

Infineon Technologies Corporation
TSOP-44



[CY62148ELL-45ZSXI](#)

Infineon Technologies Corporation
TSSOP-32



[CY14B101LA-SZ25XI](#)

Infineon Technologies Corporation
SOIC-32



[CY14B104NA-ZS45XI](#)

Infineon Technologies Corporation
44-TSOP (0.400, 10.16mm Width)