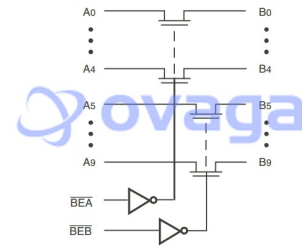


IC BUS SWITCH 10BIT HS 24QSOP; HT SUSA CODE:8542390000

Manufacturers	<a href="#">Renesas Technology Corp</a>
Package/Case	QSOP-24
Product Type	Logic ICs
RoHS	Rohs
Lifecycle	

FUNCTIONAL BLOCK DIAGRAM



Images are for reference only

Please submit RFQ for QS3384QG or [Email to us: sales@ovaga.com](mailto:sales@ovaga.com) We will contact you in 12 hours.

[RFQ](#)

## General Description

The QS3384 provides a set of ten high-speed CMOS, TTL-compatible bus switches. The low ON resistance of QS3384 allows inputs to be connected to outputs without adding propagation delay and without generating additional ground bounce. Two banks of 5 switches are controlled by independent Bus Enable (BE) signals. The QS3384 operates at -40C to +85C.

## Features

Enhanced N channel FET with no inherent diode to Vcc

5 ohm bidirectional switches connect inputs to outputs

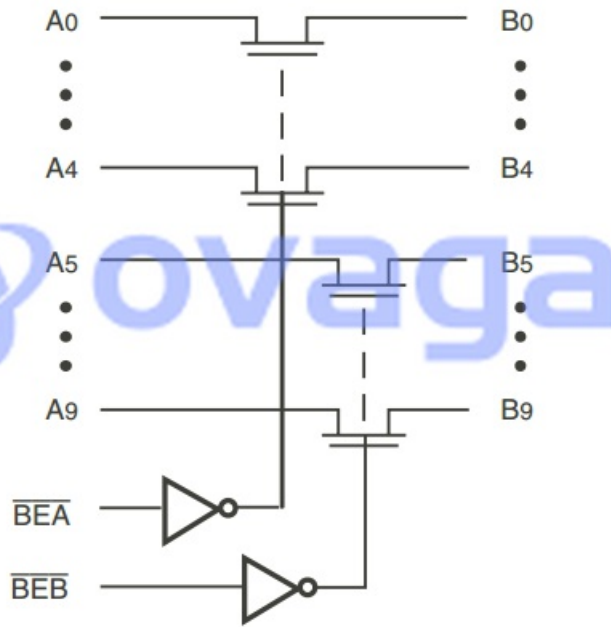
Zero propagation delay, zero added ground bounce

Undershoot clamp diodes on all switch and control inputs

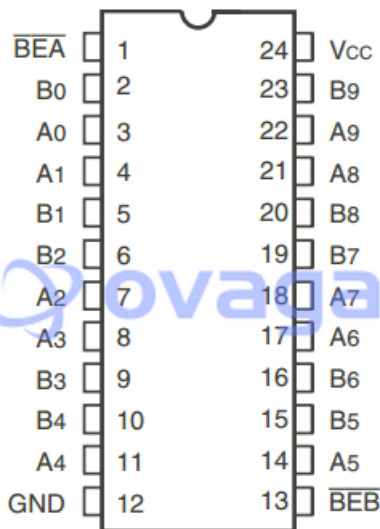
Two enables control five bits each

Available in 24 pin QSOP and TSSOP packages

## FUNCTIONAL BLOCK DIAGRAM



## PIN CONFIGURATION



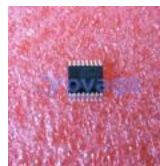
QSOP/TSSOP  
TOP VIEW

## Related Products



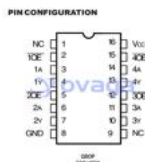
### [QS3861PAG8](#)

Renesas Technology Corp  
TSSOP-24



### [QS3257QG](#)

Renesas Technology Corp  
QSOP-16



### [QS3125QG](#)

Renesas Technology Corp  
QSOP-16



### [QS3VH125QG](#)

Renesas Technology Corp  
QSOP-16



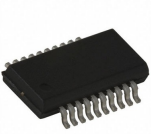
[QS3861QG](#)

Renesas Technology Corp  
QSOP-24



[QS3861PAG](#)

Renesas Technology Corp  
TSSOP-24



[QS3245QG](#)

Renesas Technology Corp  
QSOP-20



[QS3VH257QG8](#)

Renesas Technology Corp  
QSOP-16