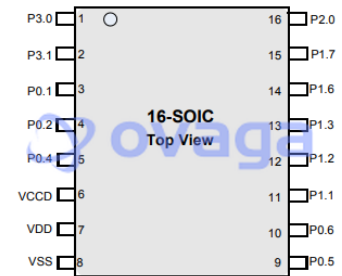


ARM MCU, PSOC 4 Family CY8C40xx Series Microcontrollers, ARM Cortex-M0, 32bit, 16 MHz, 16 KB, 2 KB New

Manufacturers	<u>Infineon Technologies Corporation</u>
Package/Case	SOIC-16
Product Type	Embedded Processors & Controllers
RoHS	Green
Lifecycle	



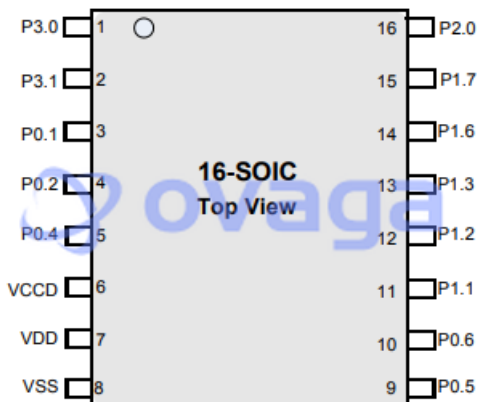
Images are for reference only

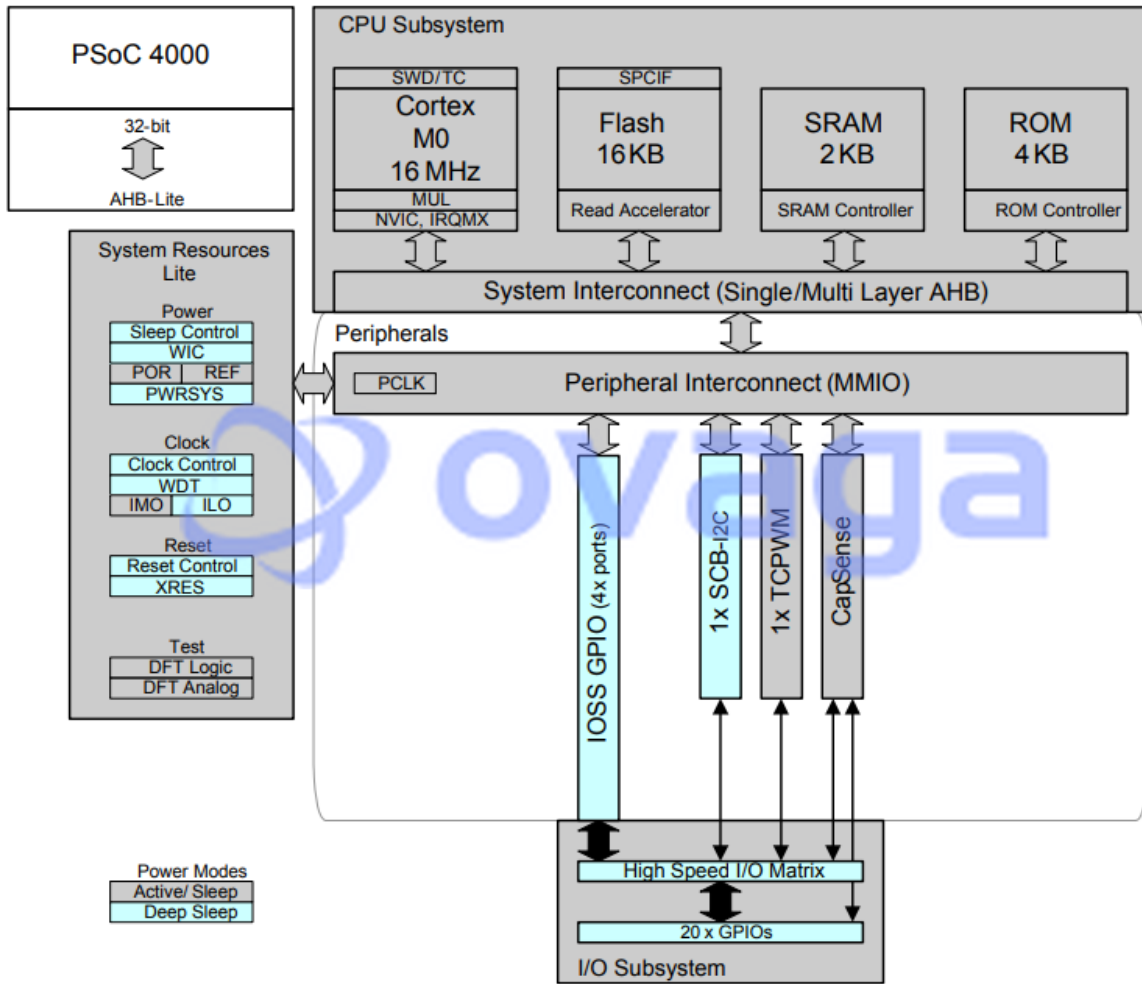
Please submit RFQ for CY8C4014SXI-421T or [Email to us: sales@ovaga.com](mailto:sales@ovaga.com) We will contact you in 12 hours.

[RFQ](#)

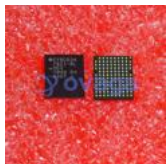
General Description

Ovaga has a large stock of CY8C4014SXI-421T Embedded Processors & Controllers from Infineon Technologies Corporation and we guarantee that they are original, brand new parts sourced directly from Infineon Technologies Corporation. We can provide quality testing reports for CY8C4014SXI-421T upon your request. To obtain a quote, simply fill in the required quantity, contact name, and email address in the quick quote form on the right. Our sales representative will contact you within 12 hours.





Related Products



[CY8C6347BZI-BLD53](#)

Infineon Technologies Corporation
116-WFBGA



[CYUSB3304-68LTXC](#)

Infineon Technologies Corporation
QFN68



[CY8C24794-24LTXI](#)

Infineon Technologies Corporation
QFN-56



[CY8C4245PVI-482](#)

Infineon Technologies Corporation
SSOP-28



[CY8C27643-24PVXI](#)

Infineon Technologies Corporation
SSOP-48



[CY8C24894-24LTXI](#)

Infineon Technologies Corporation
QFN-56



[CY8C4147AZI-S455](#)

Infineon Technologies Corporation

64-LQFP



[CY8C4127AZI-S455](#)

Infineon Technologies Corporation

64-LQFP