

ARM MCU, Kinetis L Series Ultra Low Power, Kinetis L Family KL1x Series Microcontrollers

| | |
|---------------|-----------------------------------|
| Manufacturers | <u>NXP Semiconductor</u> |
| Package/Case | LQFP-64 |
| Product Type | Embedded Processors & Controllers |
| RoHS | |
| Lifecycle | |

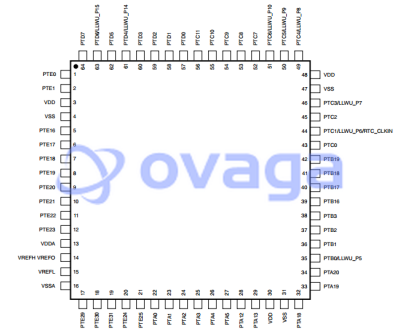


Figure 9. 64 LQFP Pinout diagram (top view)

Images are for reference only

Please submit RFQ for MKL17Z64VLH4 or [Email to us: sales@ovaga.com](mailto:sales@ovaga.com) We will contact you in 12 hours.



General Description

Features

Kinetis KL17: 48MHz Cortex-M0+ Ultra-Low Power MCU, 64KB Flash, 16KB SRAM, 64-LQFP

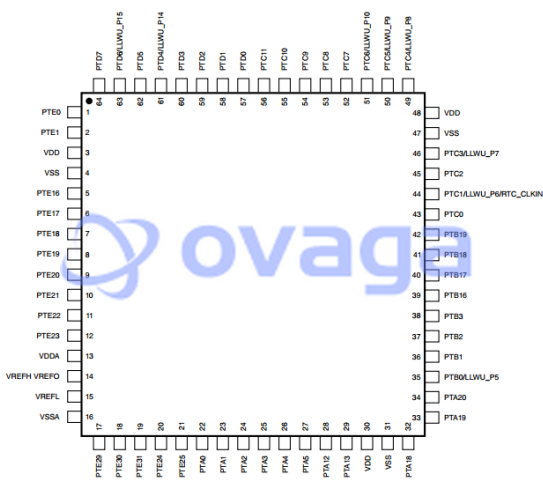


Figure 9. 64 LQFP Pinout diagram (top view)

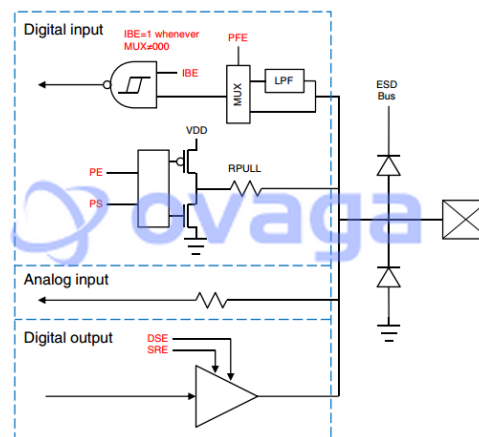


Figure 4. I/O simplified block diagram

Related Products



[MKE04Z128VLH4](#)

NXP Semiconductor
LQFP-64



[MKE02Z64VQH4](#)

NXP Semiconductor
QFP-64



[MKV46F256VLL16](#)

NXP Semiconductor
100-LQFP



[MKL26Z256VMP4](#)

NXP Semiconductor
64-LFBGA



[MKL26Z128VLH4](#)

NXP Semiconductor
LQFP-64



[MKL16Z64VLH4](#)

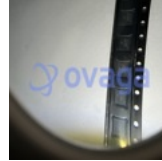
NXP Semiconductor
LQFP-64



24-pin QFN (FK)
4 x 4 x 0.65 Pitch 0.5 mm

[MKL03Z32VFK4](#)

NXP Semiconductor
QFN-24



[MKL02Z32VFK4](#)

NXP Semiconductor
QFN-24