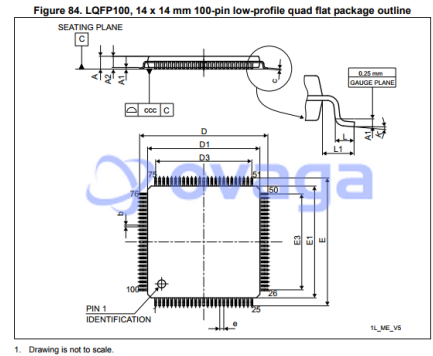


ARM MCU, STM32 Family STM32F7 Series Microcontrollers, ARM Cortex-M7, 32bit, 216 MHz, 2 MB, 512 KB

Manufacturers	STMicroelectronics, Inc
Package/Case	LQFP-100
Product Type	Embedded Processors & Controllers
RoHS	
Lifecycle	



Images are for reference only

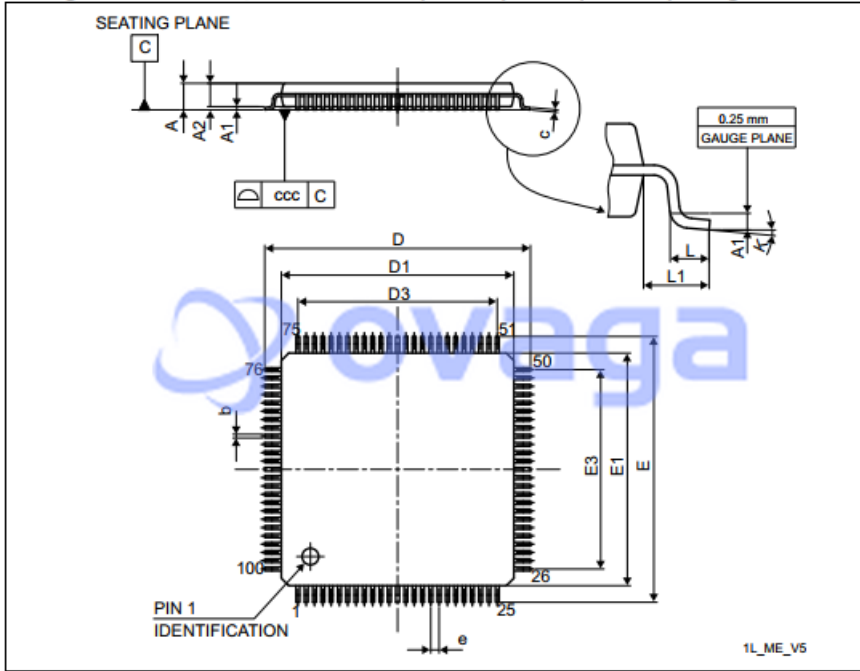
Please submit RFQ for STM32F777VIT6 or [Email to us: sales@ovaga.com](mailto:sales@ovaga.com) We will contact you in 12 hours.

[RFQ](#)

General Description

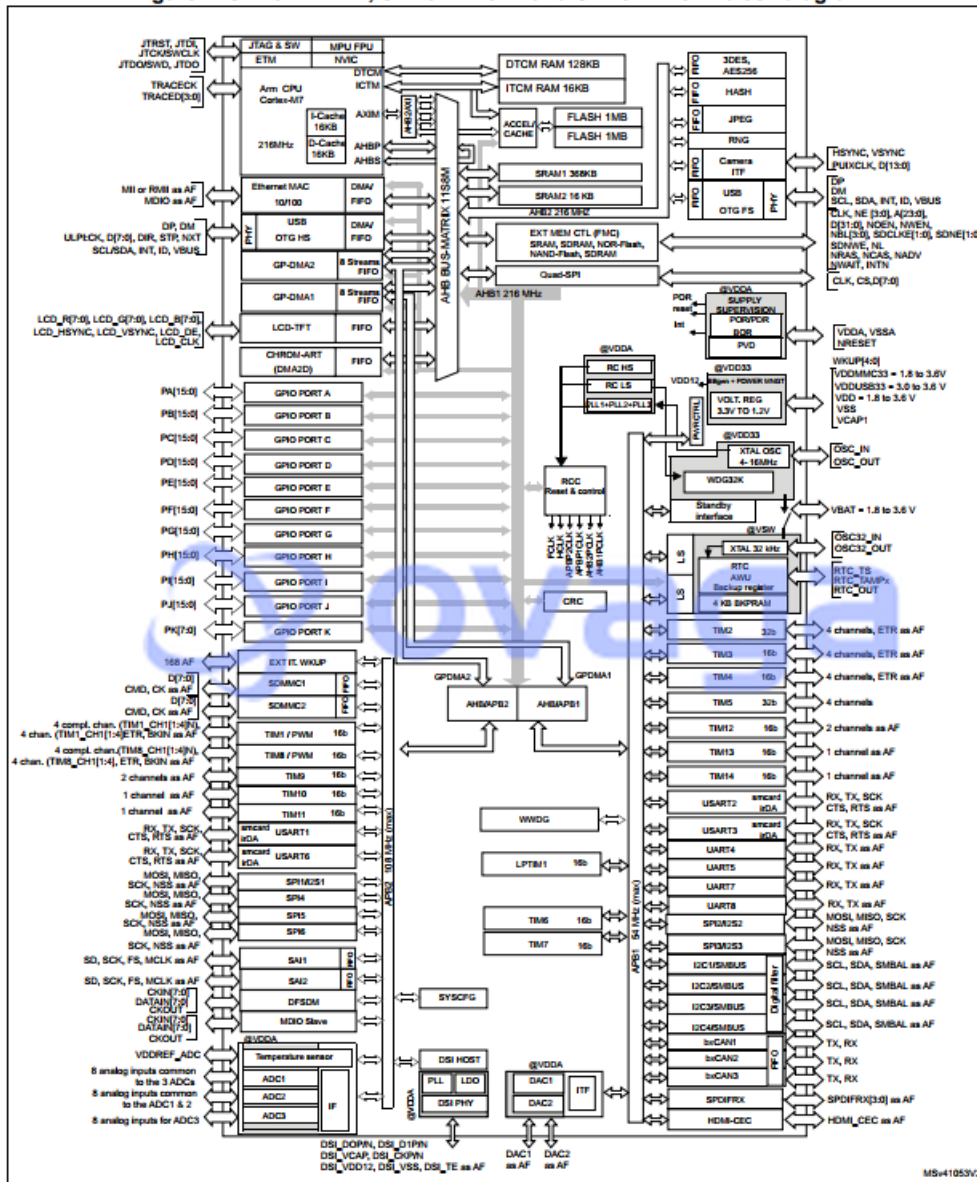
Ovaga has a large stock of STM32F777VIT6 Embedded Processors & Controllers from STMicroelectronics, Inc and we guarantee that they are original, brand new parts sourced directly from STMicroelectronics, Inc We can provide quality testing reports for STM32F777VIT6 upon your request. To obtain a quote, simply fill in the required quantity, contact name, and email address in the quick quote form on the right. Our sales representative will contact you within 12 hours.

Figure 84. LQFP100, 14 x 14 mm 100-pin low-profile quad flat package outline



1. Drawing is not to scale.

Figure 2. STM32F777xx, STM32F778Ax and STM32F779xx block diagram



1. The timers connected to APB2 are clocked from TIMxCLK up to 216 MHz, while the timers connected to APB1 are clocked from TIMxCLK either up to 108 MHz or 216 MHz depending on TIMPRE bit configuration in the RCC_DCKCFGR register.

Related Products



[STM32L151VET6](#)

STMicroelectronics, Inc
LQFP-100



[STM32L152VCT6](#)

STMicroelectronics, Inc
LQFP10014x14x1.4



[STM32F102C6T6](#)

STMicroelectronics, Inc
LQFP48



[STM32L476JEY6TR](#)

STMicroelectronics, Inc
72-UFBGA, WLCSP



[STM32L452RET6](#)

STMicroelectronics, Inc
64-LQFP



[STM32F429BGT6](#)

STMicroelectronics, Inc
208-LQFP



[STM32F446VCT6](#)

STMicroelectronics, Inc
100-LQFP



[STM32G071CBT6TR](#)

STMicroelectronics, Inc
48-LQFP