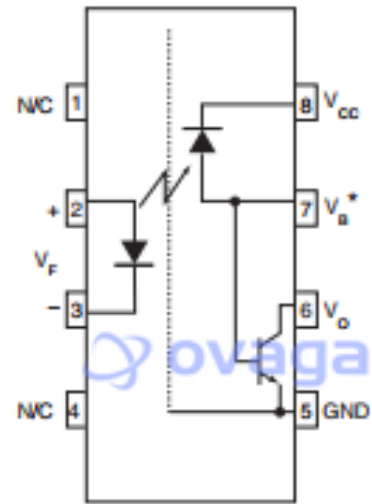


Optocoupler DC-IN 1-CH Transistor With Base DC-OUT 8-Pin SOIC N T/R

| | |
|---------------|---------------------------|
| Manufacturers | ON Semiconductor, LLC |
| Package/Case | SOIC-8 |
| Product Type | Logic Output Optocouplers |
| RoHS | Green |
| Lifecycle | |



HCPL0500, HCPL0501
*BASE NOT CONNECTED
FOR HCPL0452, HCPL0453

Images are for reference only

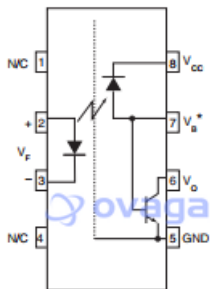
Please submit RFQ for HCPL0501R2 or [Email to us: sales@ovaga.com](mailto:sales@ovaga.com). We will contact you in 12 hours.

[RFQ](#)

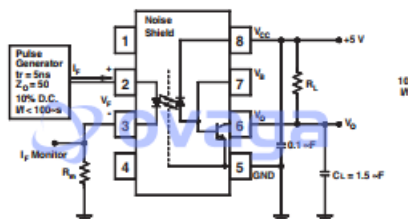
General Description

Application

ONSEMI



HCPL0500, HCPL0501
*BASE NOT CONNECTED
FOR HCPL0452, HCPL0453



Test Circuit for HCPL0452, HCPL0453, HCPL0500 and HCPL0501

Related Products



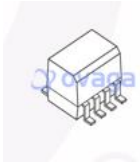
[HCPL062NR2](#)

ON Semiconductor, LLC
SOIC-8



[HCPL0500V](#)

ON Semiconductor, LLC
SOP8



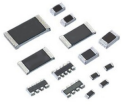
[HCPL0731R2](#)

ON Semiconductor, LLC
SOIC-8



[HCPL0600R2](#)

ON Semiconductor, LLC
SOIC-8



[HCPL4503SM](#)

ON Semiconductor, LLC
SMD-8



[HCPL0531](#)

ON Semiconductor, LLC
SOIC-8



[HCPL0601R2](#)

ON Semiconductor, LLC
SOIC-8



[HCPL0500](#)

ON Semiconductor, LLC
SOIC-8