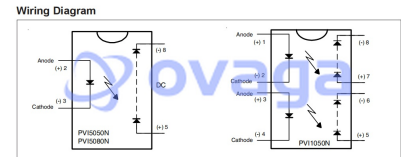


2 Form A Photo Voltaic Isolator in a 8-pin DIP Package; Similar to PVI1050N with lead free packaging.



Images are for reference only

Manufacturers	<u>Infinion Technologies Corporation</u>
Package/Case	DIP-8
Product Type	Optoisolators - Transistor, Photovoltaic Output
RoHS	Rohs
Lifecycle	

Please submit RFQ for PVI1050NPBF or [Email to us: sales@ovaga.com](mailto:sales@ovaga.com) We will contact you in 12 hours.

[RFQ](#)

## General Description

5 V, 5  $\mu$ A dual channel Photovoltaic MOSFET driver with integrated fast turn-off in a 8-pin DIP package.

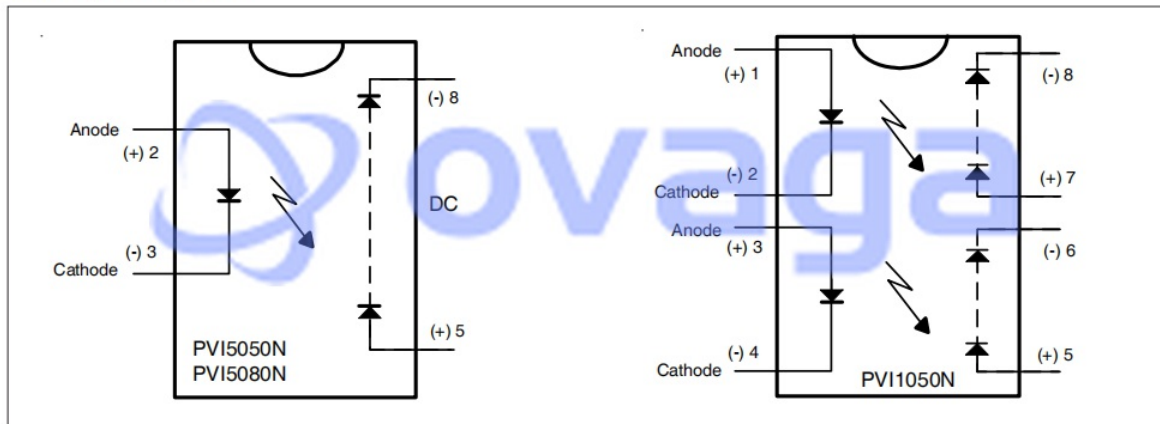
### Features

- Isolated voltage source
- 4.000 V(rms) I/O isolation
- Monolithic construction
- 1.200 V(DC) output-to-output isolation
- Solid state reliability
- Integrated fast turn-off circuitry

### Application

- Telecommunications
- Load distribution
- Industrial controls
- Instrumentation and measurement
- Electronic ballast
- Custom solid state relay
- Floating power supply
- Electro-mechanical relay replacement

## Wiring Diagram



## Related Products



### [PVG612ASPBF](#)

Infineon Technologies Corporation  
SOP-6



### [PVT322SPBF](#)

Infineon Technologies Corporation  
SOIC-8



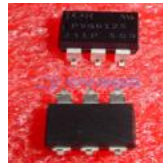
### [PVN012PBF](#)

Infineon Technologies Corporation  
DIP-6



### [PVG612APBF](#)

Infineon Technologies Corporation  
DIP-6



### [PVG612S-TPBF](#)

Infineon Technologies Corporation  
SOIC-6



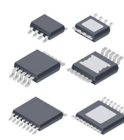
### [PVG612PBF](#)

Infineon Technologies Corporation  
DIP6



### [PVD1352NSPBF](#)

Infineon Technologies Corporation  
SOIC-8



### [PVG612AS-TPBF](#)

Infineon Technologies Corporation  
SOIC-6