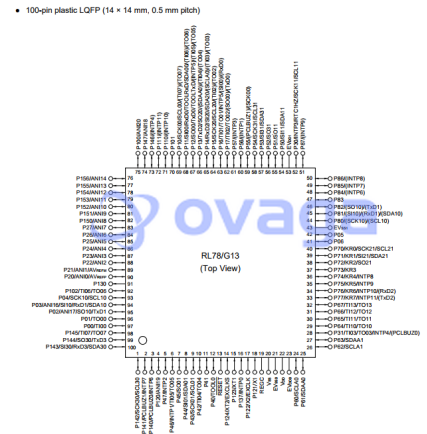


Microcontroller, Low Power, RL78 Family RL78/G1x Series Microcontrollers, 16bit, 32 MHz, 256 KB

Manufacturers	<a href="#">Renesas Technology Corp</a>
Package/Case	LFQFP-100
Product Type	Embedded Processors & Controllers
RoHS	
Lifecycle	



Images are for reference only

Please submit RFQ for R5F100PJAFB#V0 or [Email to us: sales@ovaga.com](mailto:sales@ovaga.com) We will contact you in 12 hours.



## General Description

### Features

CPU: RL78 core, Max. 32MHz

Voltage: 1.6V to 5.5V

Package: 64-pin HTFQFP, 24 to 48-pin HWQFN, 48 to 128-pin LFQFP, 44 to 100-pin LQFP, 20 to 30-pin LSSOP, 64-pin VFBGA, 25 to 36-pin WFLGA

Memory: SRAM Max. 32KB, Program Flash Max. 512KB

Timer: 16-bit Timer (ch) x 8, 8-bit Timer (ch) x 8, Watchdog Timer (ch) x 1, Interval Timer x 1 ch

PWM: PWM Output x 7

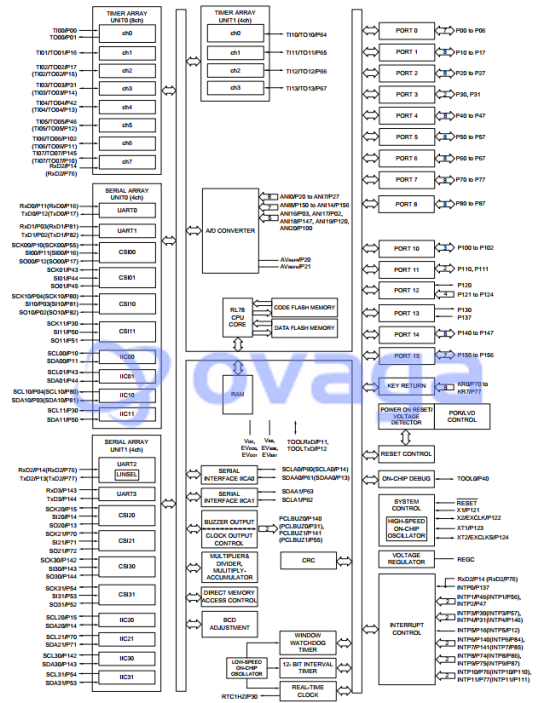
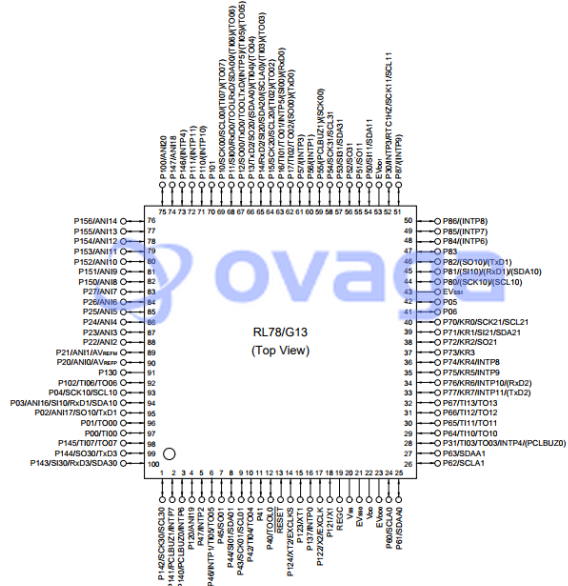
Analog function: 10-bit A/D Converter (ch) x 9

On-chip Oscillator Freq. (MHz): High-Speed: 32, 24, 16, 12, 8, 4, 1MHz

Low-speed: 15kHz

Others: RTC, Power-On Reset, Low Voltage Detection

• 100-pin plastic LQFP (14 × 14 mm, 0.5 mm pitch)



**Remark** Functions in parentheses in the above figure can be assigned via settings in the peripheral I/O redirection register (PIOR). Refer to Figure 4-8 Format of Peripheral I/O Redirection Register (PIOR) in the RL78/G13 User's Manual.

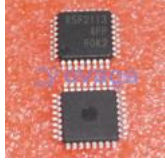
**Related Products**



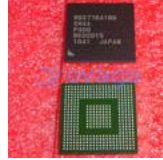
**R5F21246SNFP**  
 Renesas Technology Corp  
 QFP48



**R5F21368CNFP**  
 Renesas Technology Corp  
 64-LQFP



**R5F21134FP**  
 Renesas Technology Corp  
 QFP-32



**R5S77641P300BG**  
 Renesas Technology Corp  
 BGA



**R5S77641N300BG**  
 Renesas Technology Corp  
 BGA



**R5F562TAADF#V1**  
 Renesas Technology Corp  
 RX62T32Bit 100Mhz



**R5F56218BDFP#V0**  
 Renesas Technology Corp  
 100-LQFP



**R5F52306ADFM#30**  
 Renesas Technology Corp  
 64-LQFP