

EiceDRIVER™ - IGBT/MOSFET Gate Driver ICs; Package: PG-DSO-16; Topology: Single; V: 1,200.0 V; Io+/-: 2,000.0 - 2,000.0 mA; Turn On Propagation Delay (max): 205.0 ns; Tj (max): 150.0 degC, MOSFET & Power Driver ICs SNGL IGBT Driver IC

Manufacturers	<a href="#">Infineon Technologies Corporation</a>
Package/Case	SOP-16
Product Type	Power Management ICs
RoHS	Rohs
Lifecycle	



Images are for reference only

Please submit RFQ for 1ED020I12-F or [Email to us: sales@ovaga.com](mailto:sales@ovaga.com) We will contact you in 12 hours.

[RFQ](#)

## General Description

1ED020I12-F is a power module manufactured by Infineon Technologies. It is a half-bridge gate driver IC with an integrated bootstrap functionality, designed to drive power MOSFETs and IGBTs in various applications, including motor drives, solar inverters, and switch-mode power supplies.

### Features

- Operating voltage range from 5V to 20V
- 600V blocking voltage
- 1.5A source and 2A sink current capability
- Integrated bootstrap functionality
- Over-current and under-voltage protection
- Fault status indication

### Application

- AC/DC and DC/DC converters
- Solar inverters
- Motor drives
- Switch-mode power supplies
- Uninterruptible power supplies



Pin	Symbol	Function
1	VEE2	Negative power supply output side
2	DESAT	Desaturation protection
3	GND2	Signal ground output side
4	NC	Not connected
5	VCC2	Positive power supply output side
6	OUT	Driver output
7	CLAMP	Miller clamping
8	VEE2	Negative power supply output side
9	GND1	Signal ground input side
10	IN+	Non inverted driver input
11	IN-	Inverted driver input
12	RDY	Ready output
13	$\overline{\text{FLT}}$	Fault output
14	$\overline{\text{RST}}$	Reset input
15	VCC1	Positive power supply input side
16	GND1	Signal ground input side

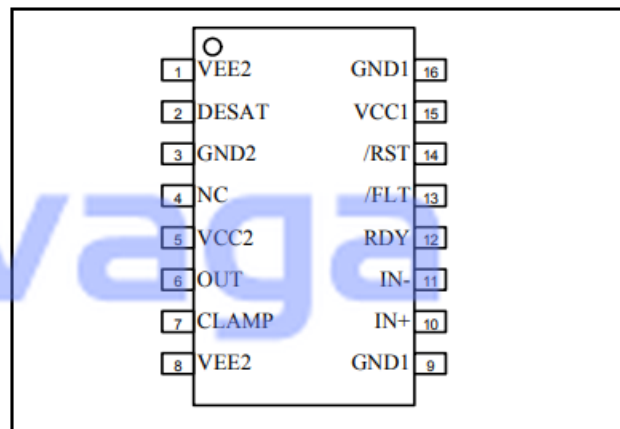
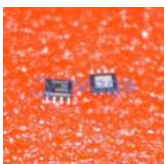


Figure 4: PG-DSO-16-15

### Related Products



#### [IFX91041EJV](#)

Infineon Technologies Corporation  
SOP8



#### [BTT6030-1ERA](#)

Infineon Technologies Corporation  
SOP14



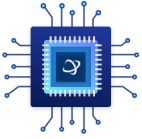
[1EDI60H12AH](#)

Infineon Technologies Corporation  
SOP-8



[TLE7181EM](#)

Infineon Technologies Corporation  
SOP14



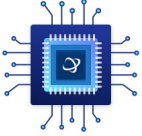
[1EDN8511B](#)

Infineon Technologies Corporation



[TLE7185-1E](#)

Infineon Technologies Corporation  
SSOP-36



[1EDN7511B](#)

Infineon Technologies Corporation



[1EDI40H12AF](#)

Infineon Technologies Corporation  
SOIC-8