

Triac & SCR Output Optocouplers 6Pin800V Optocoupler Zero Cross Triac Dr

Manufacturers	<a href="#">ON Semiconductor, LLC</a>
Package/Case	PDIP-6
Product Type	Optocouplers / Photocouplers
RoHS	Pb-free
Lifecycle	



Images are for reference only

Please submit RFQ for MOC3083SR2M or [Email to us: sales@ovaga.com](mailto:sales@ovaga.com) We will contact you in 12 hours.

[RFQ](#)

## General Description

The MOC3081M, MOC3082M and MOC3083M devices consist of a GaAs infrared emitting diode optically coupled to a monolithic silicon detector performing the function of a zero voltage crossing bilateral triac driver. They are designed for use with a discrete power triac in the interface of logic systems to equipment powered from 240 VAC lines, such as solid-state relays, industrial controls, motors, solenoids and consumer appliances, etc.

## Features

Simplifies Logic Control of 240 VAC Power

Zero Voltage Crossing to Minimize Conducted and Radiated Line Noise

800 V Peak Blocking Voltage

Superior Static dv/dt

1500 V/ $\mu$ s Typical, 600 V/ $\mu$ s Guaranteed

Safety and Regulatory Approvals

UL1577, 4,170 VACRMS for 1 Minute

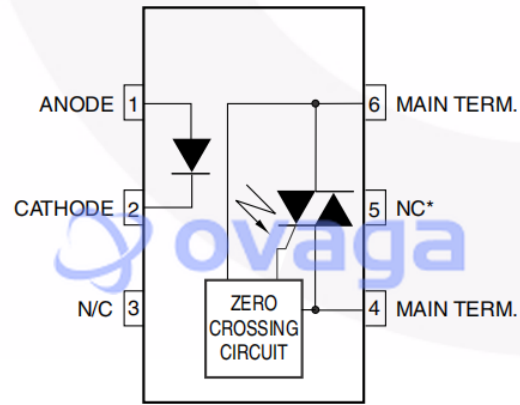
DIN EN/IEC60747-5-5

## Application

ONSEMI



## Schematic



\*DO NOT CONNECT  
(TRIAC SUBSTRATE)

Figure 1. Schematic

## Related Products



### [MOC3052M](#)

ON Semiconductor, LLC  
DIP-6



### [MOC3022M](#)

ON Semiconductor, LLC  
DIP6



### [MOC213M](#)

ON Semiconductor, LLC  
SOIC-8



### [MOC3083SR2VM](#)

ON Semiconductor, LLC  
PDIP-6



### [MOC3043SR2M](#)

ON Semiconductor, LLC  
SOP-6



### [MOC3023SR2M](#)

ON Semiconductor, LLC  
PDIP-6



### [MOC223R2M](#)

ON Semiconductor, LLC  
SOIC-8



### [MOC3081M](#)

ON Semiconductor, LLC  
PDIP-6