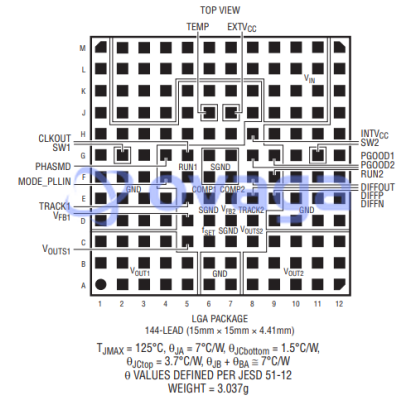


Non-Isolated PoL Module DC DC Converter 2 Output 0.6 ~ 5.3 V 0.6 ~ 5.3 V 13A, 13A  
4.5V - 16V Input

Manufacturers	<a href="#">Analog Devices, Inc</a>
Package/Case	LGA144
Product Type	Power Management ICs
RoHS	
Lifecycle	



Images are for reference only

Please submit RFQ for LTM4620AEY#PBF or [Email to us: sales@ovaga.com](mailto:sales@ovaga.com) We will contact you in 12 hours.

[RFQ](#)

## General Description

The LTM4620A is a complete dual 13A, or single 26A output switching mode DC/DC power supply with wider  $V_{OUT}$  range and higher efficiency than the LTM4620. Included in the package are the switching controller, power FETs, inductors and all supporting components. Operating from an input voltage range of 4.5V to 16V, the LTM4620A supports two outputs each with an output voltage range of 0.6V to 5.3V, set by a single external resistor. Its high efficiency design delivers up to 13A continuous current for each output. Only a few input and output capacitors are needed.

The device supports frequency synchronization, multiphase operation, Burst Mode<sup>®</sup> operation and output voltage tracking for supply rail sequencing and has an onboard temperature diode for device temperature monitoring. High switching frequency and a current mode architecture enable a very fast transient response to line and load changes without sacrificing stability.

Fault protection features include overvoltage and overcurrent protection. The power module is offered in a proprietary space saving and thermally enhanced 15mm x 15mm x 4.41mm LGA package and 15mm x 15mm x 5.01mm BGA package. The LTM4620A is available with SnPb (BGA) or RoHS compliant terminal finish.

## Applications

## Features

Dual 13A or Single 26A Output

Wide Input Voltage Range: 4.5V to 16V

Output Voltage Range: 0.6V to 5.3V

Multiphase Current Sharing with Multiple LTM4620As Up to 100A

Higher Efficiency and Wider V

OUT

Differential Remote Sense Amplifier

Current Mode Control/Fast Transient Response

Adjustable Switching Frequency

Overcurrent Foldback Protection

Frequency Synchronization

Internal Temperature Monitor

Output Overvoltage Protection

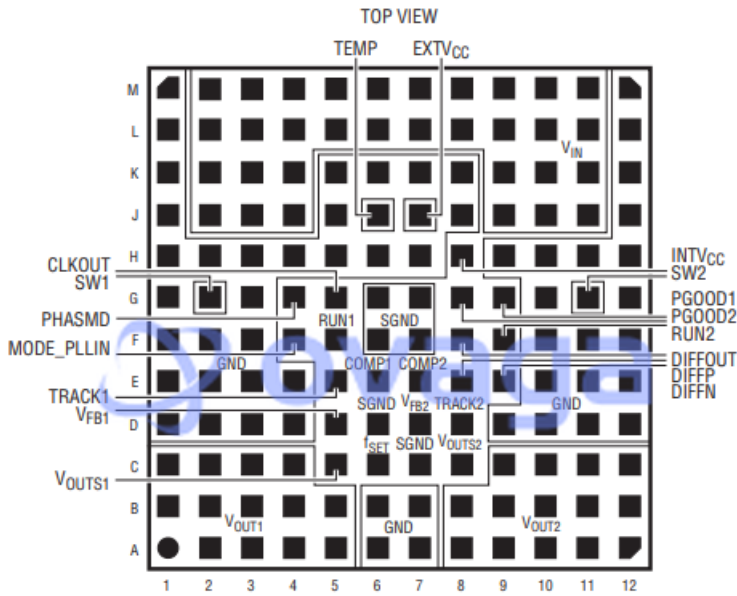
Pin Compatible with the LTM4628 (Dual 8A) and LTM4620 (Dual 13A)

Thermally Enhanced (15mm × 15mm × 4.41mm) LGA Package and (15mm × 15mm × 5.01mm) BGA Package

## Application

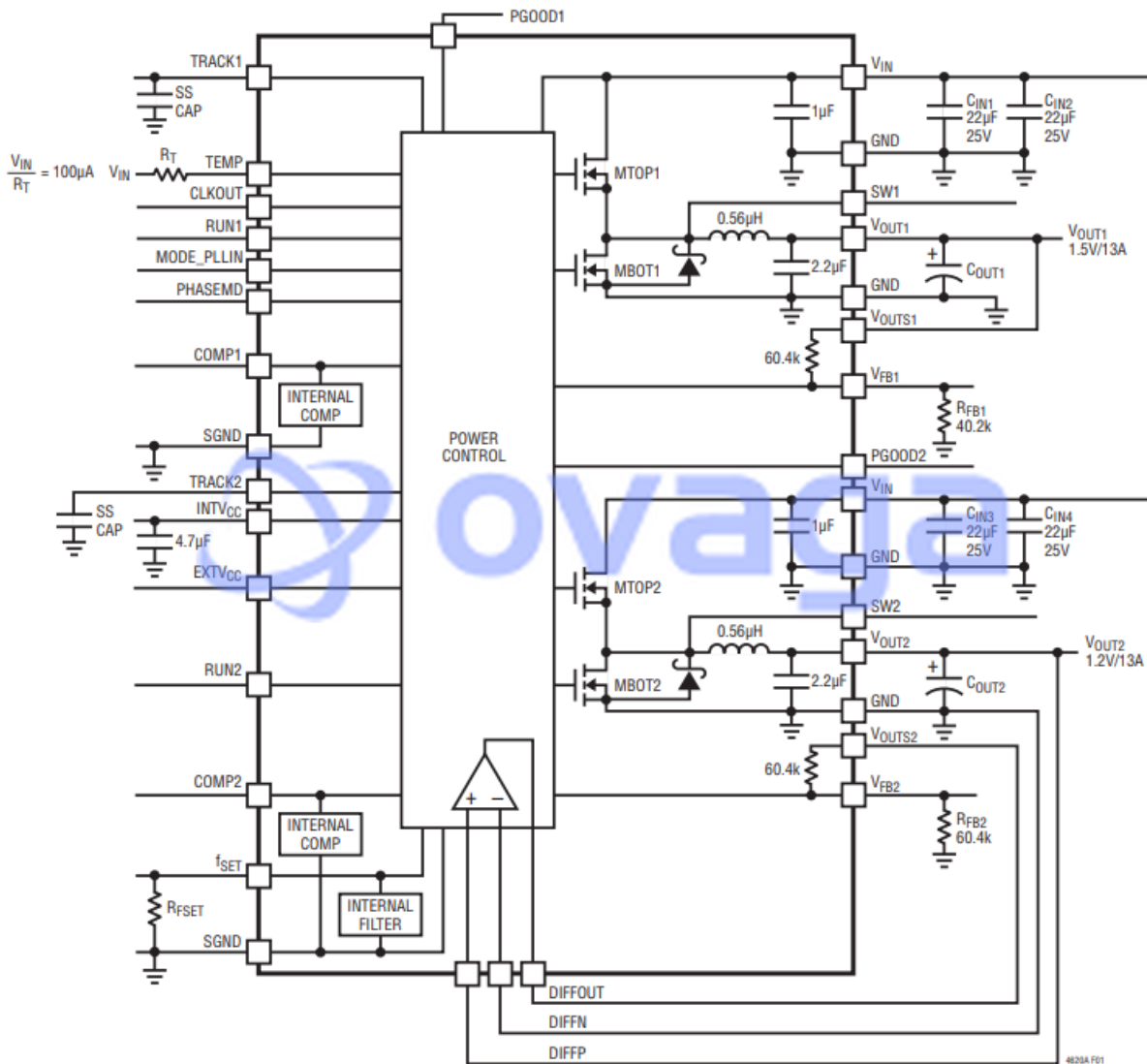
Telecom and Networking  
Equipment

Industrial Equipment

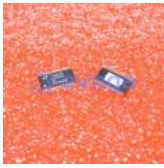


LGA PACKAGE  
144-LEAD (15mm × 15mm × 4.41mm)

$T_{JMAX} = 125^{\circ}\text{C}$ ,  $\theta_{JA} = 7^{\circ}\text{C/W}$ ,  $\theta_{Jcbottom} = 1.5^{\circ}\text{C/W}$ ,  
 $\theta_{Jctop} = 3.7^{\circ}\text{C/W}$ ,  $\theta_{JB} + \theta_{BA} \cong 7^{\circ}\text{C/W}$   
 $\theta$  VALUES DEFINED PER JESD 51-12  
 WEIGHT = 3.037g

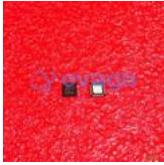


## Related Products



### [LT3763EFE](#)

Analog Devices, Inc  
TSSOP28



### [LTC4417IUF](#)

Analog Devices, Inc  
QFN-24



### [LTC1966CMS8#PBF](#)

Analog Devices, Inc  
MSOP-8P



### [LTM8045EX#PBF](#)

Analog Devices, Inc  
BGA40



### [LT1038CK](#)

Analog Devices, Inc  
TO-3



### [LTC3440EMS](#)

Analog Devices, Inc  
MSOP10



### [LTC2990IMS#PBF](#)

Analog Devices, Inc  
10MSOP



### [LT4295IUFD#PBF](#)

Analog Devices, Inc  
28-WFQFN