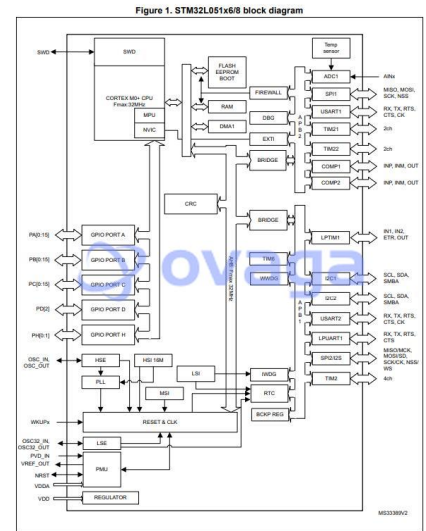


ARM MCU, STM32 Family STM32L0 Series Microcontrollers, ARM Cortex-M0+, 32bit, 32 MHz, 32 KB, 8 KB

Manufacturers	<a href="http://www.st.com">STMicroelectronics, Inc</a>
Package/Case	LQFP-48
Product Type	Embedded Processors & Controllers
RoHS	
Lifecycle	



Images are for reference only

Please submit RFQ for STM32L051C6T6 or [Email to us: sales@ovaga.com](mailto:sales@ovaga.com) We will contact you in 12 hours.

[RFQ](#)

## General Description

Ovaga has a large stock of STM32L051C6T6 Embedded Processors & Controllers from STMicroelectronics, Inc and we guarantee that they are original, brand new parts sourced directly from STMicroelectronics, Inc We can provide quality testing reports for STM32L051C6T6 upon your request. To obtain a quote, simply fill in the required quantity, contact name, and email address in the quick quote form on the right. Our sales representative will contact you within 12 hours.

Figure 1. STM32L051x6/8 block diagram

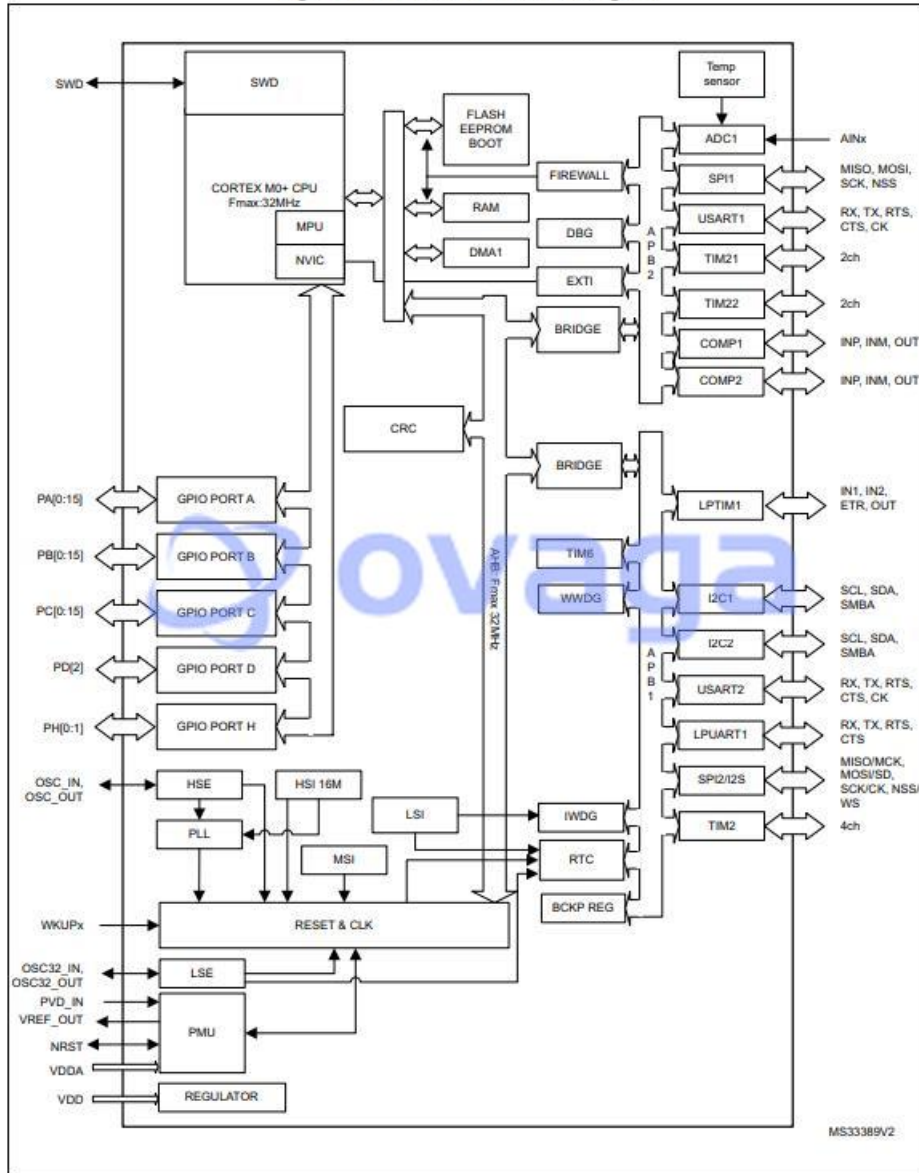
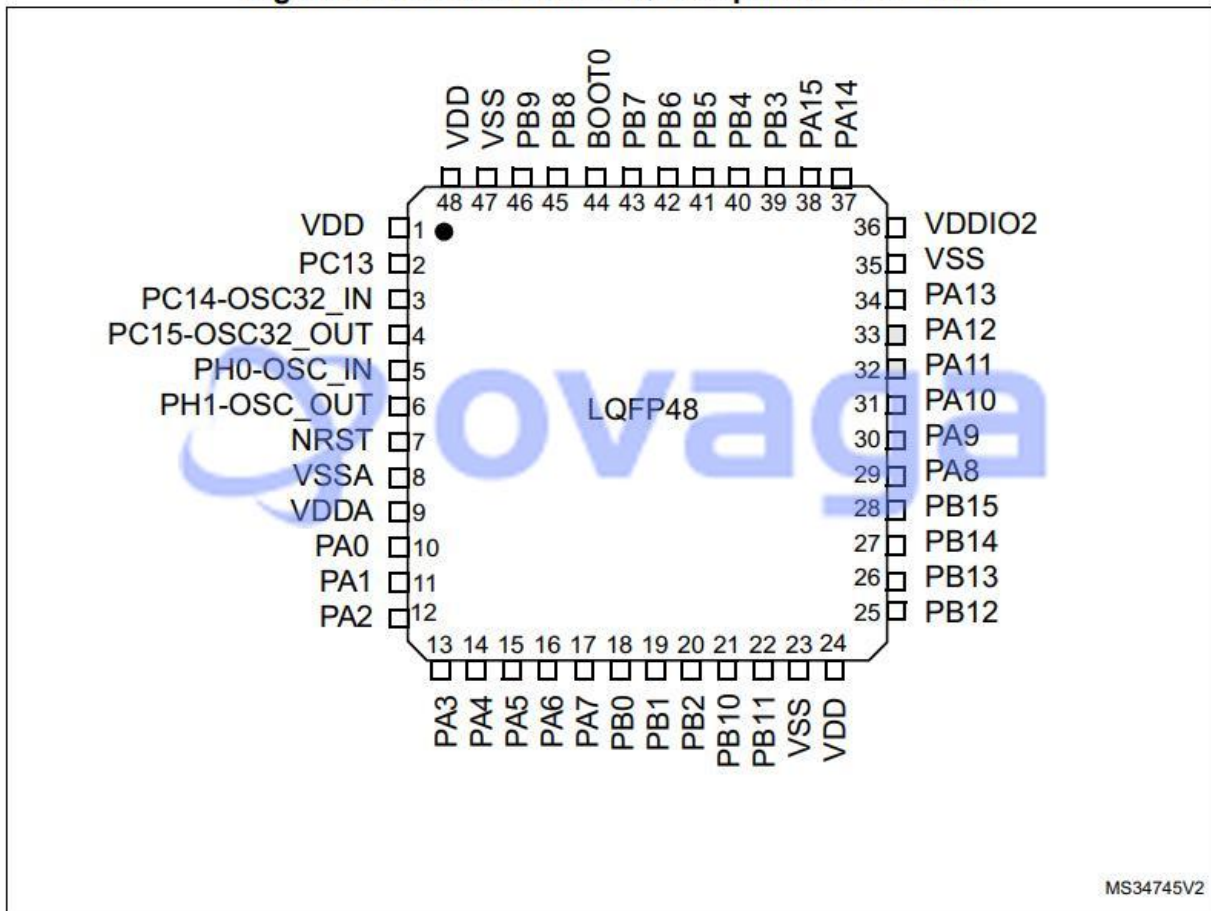


Figure 5. STM32L051x6/8 LQFP48 pinout - 7 x 7 mm



### Related Products



[STM32L151VET6](#)

STMicroelectronics, Inc  
LQFP-100



[STM32L152VCT6](#)

STMicroelectronics, Inc  
LQFP10014x14x1.4



[STM32F102C6T6A](#)

STMicroelectronics, Inc  
LQFP48



[STM32L476JEY6TR](#)

STMicroelectronics, Inc  
72-UFBGA, WLCSP



[STM32L452RET6P](#)

STMicroelectronics, Inc  
64-LQFP



[STM32F429BGT6](#)

STMicroelectronics, Inc  
208-LQFP



[STM32F446VCT6](#)

STMicroelectronics, Inc  
100-LQFP



[STM32G071CBT6TR](#)

STMicroelectronics, Inc  
48-LQFP