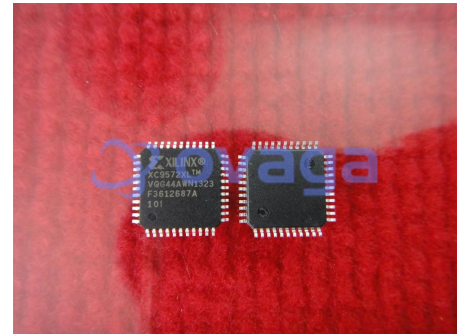


CPLD, FLASH, 72, 34 I/O's, VQFP, 44 Pins, 100 MHz

Manufacturers	AMD Xilinx, Inc
Package/Case	QFP44
Product Type	Programmable Logic ICs
RoHS	
Lifecycle	



Images are for reference only

Please submit RFQ for XC9572XL-10VQG44I or [Email to us: sales@ovaga.com](mailto:sales@ovaga.com) We will contact you in 12 hours.

[RFQ](#)

General Description

XC9572XL-10VQG44I is a field-programmable gate array (FPGA) device from Xilinx. Here are some of its features:

Features

Number of Logic Cells: 72,192

Maximum Frequency: 166 MHz

Number of I/Os: 44

Operating Voltage: 3.3V

Package Type: VQG44 (44-pin Quad Flat Pack)

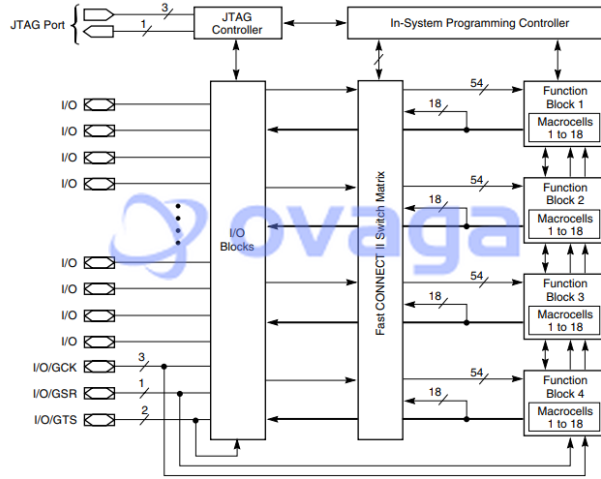
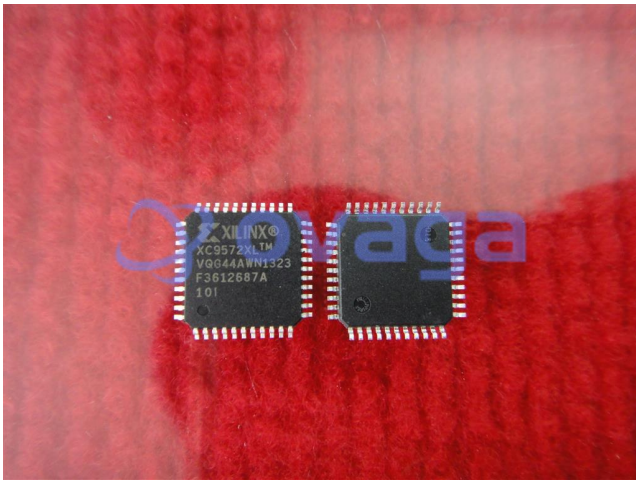
Application

Altera/Intel EPM7128SLC84-10

Atmel ATF1502ASL-25JC44

Lattice LC4064V-10TN44C

QuickLogic QL12X16B-OPL84C



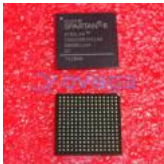
Related Products



[XCF18V01S020C](#)
 AMD Xilinx, Inc
 SOP-20



[XCF04SV0G20C](#)
 AMD Xilinx, Inc
 TSSOP20



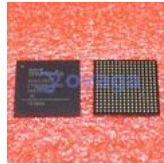
[XC6SLX4-2CSG225C](#)
 AMD Xilinx, Inc
 BGA-225



[XCV50-6BG256C](#)
 AMD Xilinx, Inc
 BGA256



[XCF08PV0G48C](#)
 AMD Xilinx, Inc
 TSOP-48



[XC6SLX25-3FTG256C](#)
 AMD Xilinx, Inc
 BGA-256



[XC6SLX16-3CSG324C](#)
 AMD Xilinx, Inc
 BGA-324



[XCF32PVO48C](#)
 AMD Xilinx, Inc
 TSOP48