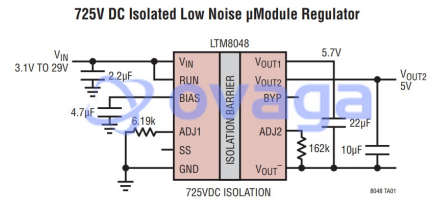


Power Management IC, DC/DC Converter Isolated FB uModule, 32 V, BGA-45

Manufacturers	Analog Devices, Inc
Package/Case	BGA-45
Product Type	Power Management ICs
RoHS	Pb-free Halide free
Lifecycle	



Images are for reference only

Please submit RFQ for LTM8048EY#PBF or [Email to us: sales@ovaga.com](mailto:sales@ovaga.com). We will contact you in 12 hours.

[RFQ](#)

General Description

The LTM8048 is an isolated flyback μ Module (power module) DC/DC converter with LDO post regulator. The LTM8048 has an isolation rating of 725VDC. Included in the package are the switching controller, power switches, transformer, and all support components. Operating over an input voltage range of 3.1V to 32V, the LTM8048 supports an output voltage range of 2.5V to 13V, set by a single resistor. There is also a linear post regulator whose output voltage is adjustable from 1.2V to 12V as set by a single resistor. Only output, input, and bypass capacitors are needed to finish the design. Other components may be used to control the soft-start control and biasing.

The LTM8048 is packaged in a thermally enhanced, compact (11.25mm \times 9mm \times 4.92mm) over-molded ball grid array (BGA) package suitable for automated assembly by standard surface mount equipment. The LTM8048 is available with SnPb (BGA) or RoHS compliant terminal finish.

Features

Complete Switch Mode Power Supply

725VDC Isolation

Wide Input Voltage Range: 3.1V to 32V

VOUT1 Output:

Up to 440mA

2.5V to 13V Output Range

VOUT2 Low Noise Linear Post Regulator:

Up to 300mA

1.2V to 12V Output Range

Current Mode Control

Programmable Soft-Start

User Configurable Undervoltage Lockout

SnPb or RoHS Compliant Finish

Low Profile (11.25mm × 9mm × 4.92mm) Surface Mount BGA Package

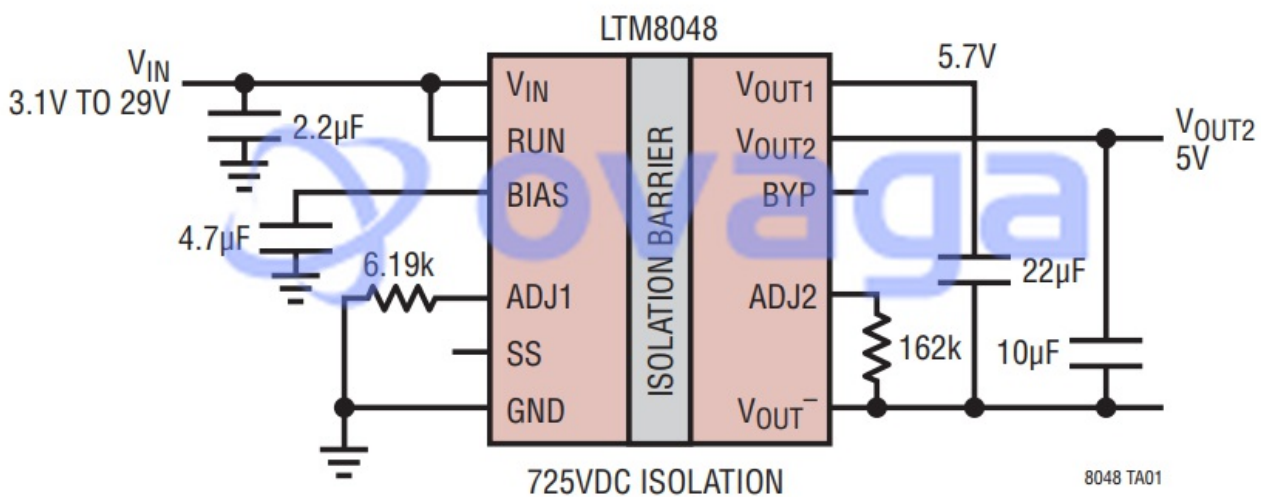
Application

Industrial Sensors

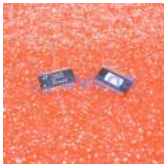
Industrial Switches

Ground Loop Mitigation

725V DC Isolated Low Noise μ Module Regulator



Related Products



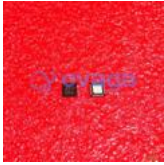
[LT3763EFE](#)

Analog Devices, Inc
TSSOP28



[LT1038CK](#)

Analog Devices, Inc
TO-3



[LTC4417IUF](#)

Analog Devices, Inc
QFN-24



[LTC3440EMS](#)

Analog Devices, Inc
MSOP10



[LTC1966CMS8#PBF](#)

Analog Devices, Inc
MSOP-8P



[LTC2990IMS#PBF](#)

Analog Devices, Inc
10MSOP



[LTM8045EY#PBF](#)

Analog Devices, Inc
BGA40



[LT4295IUFD#PBF](#)

Analog Devices, Inc
28-WFQFN