

Analogue to Digital Converter, SAR, 16 bit, 3 MSPS, Differential, Parallel, Serial, Single, 2.37 V

Manufacturers	Analog Devices, Inc
Package/Case	QFP48
Product Type	Data Conversion ICs
RoHS	Pb-free Halide free
Lifecycle	



Images are for reference only

Please submit RFQ for AD7621ASTZ or [Email to us: sales@ovaga.com](mailto:sales@ovaga.com) We will contact you in 12 hours.

[RFQ](#)

General Description

It features a very high sampling rate mode (Wideband Warp) for undersampling applications and, for asynchronous conversion rate applications, a fast mode (Normal) and, for low power applications, a reduced power mode (Impulse) where the power is scaled with the throughput.

It is available in a 48-lead LQFP or a 48-lead LFCSP with operation specified from -40°C to $+85^{\circ}\text{C}$.

Features

16 Bits Resolution with No Missing Codes

No Pipeline Delay (SAR architecture)

Differential Input Range: $\pm V_{REF}$ (V_{REF} up to 2.5V)

Throughput: 3 MSPS (Wideband Warp and Warp Mode) 2 MSPS (Normal Mode) 1.25 MSPS (Impulse Mode)

INL ± 2 LSB Max (± 30 ppm of FS)

SINAD: 89 dB Typ @ 100 kHz

THD: -103 dB Typ @ 100 kHz

Parallel (16 or 8 bits bus) and Serial 5 V/3.3 V/2.5 V Interface

SPI®/QSPI™/MICROWIRE™/DSP Compatible

On-board Low Drift Reference with Buffer and Temperature Sensor

Single 2.5 V Supply Operation

Power Dissipation: 70 mW Typ @ 3 MSPS With REF

Application

Medical instruments

High speed data acquisition

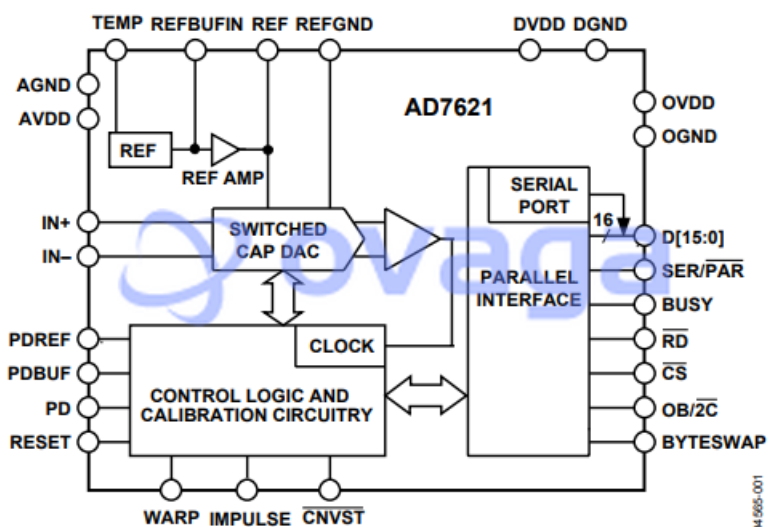
Digital signal processing

Communications

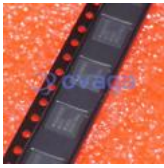
Instrumentation

Spectrum analysis

ATE



Related Products



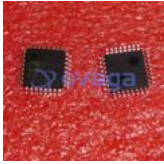
[ADAS3022BCPZ](#)

Analog Devices, Inc
LFCSP-40



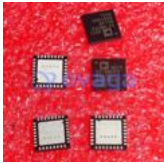
[AD574AJNZ](#)

Analog Devices, Inc
PDIP-28



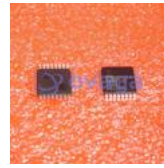
[AD7938BSUZ](#)

Analog Devices, Inc
TQFP-32



[AD7124-8BCPZ-RL7](#)

Analog Devices, Inc
LFCSP-32



[AD7266BSUZ](#)

Analog Devices, Inc
TQFP-32



[AD7401YRWZ](#)

Analog Devices, Inc
SOIC-16



[AD7192BRUZ-REEL](#)

Analog Devices, Inc
TSSOP-24



[AD9680BCPZ-500](#)

Analog Devices, Inc
LFCSP-64