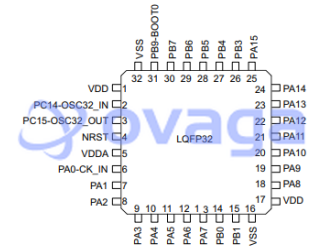


ARM MCU, STM32 Family STM32L0 Series Microcontrollers, ARM Cortex-M0+, 32bit, 32 MHz, 16 KB, 2 KB

Manufacturers	<u>STMicroelectronics, Inc</u>
Package/Case	LQFP-32
Product Type	Embedded Processors & Controllers
RoHS	
Lifecycle	



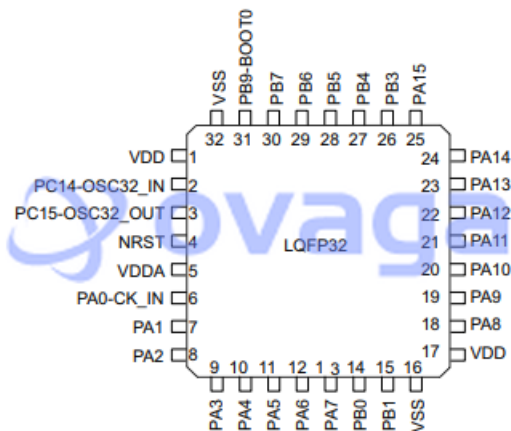
Images are for reference only

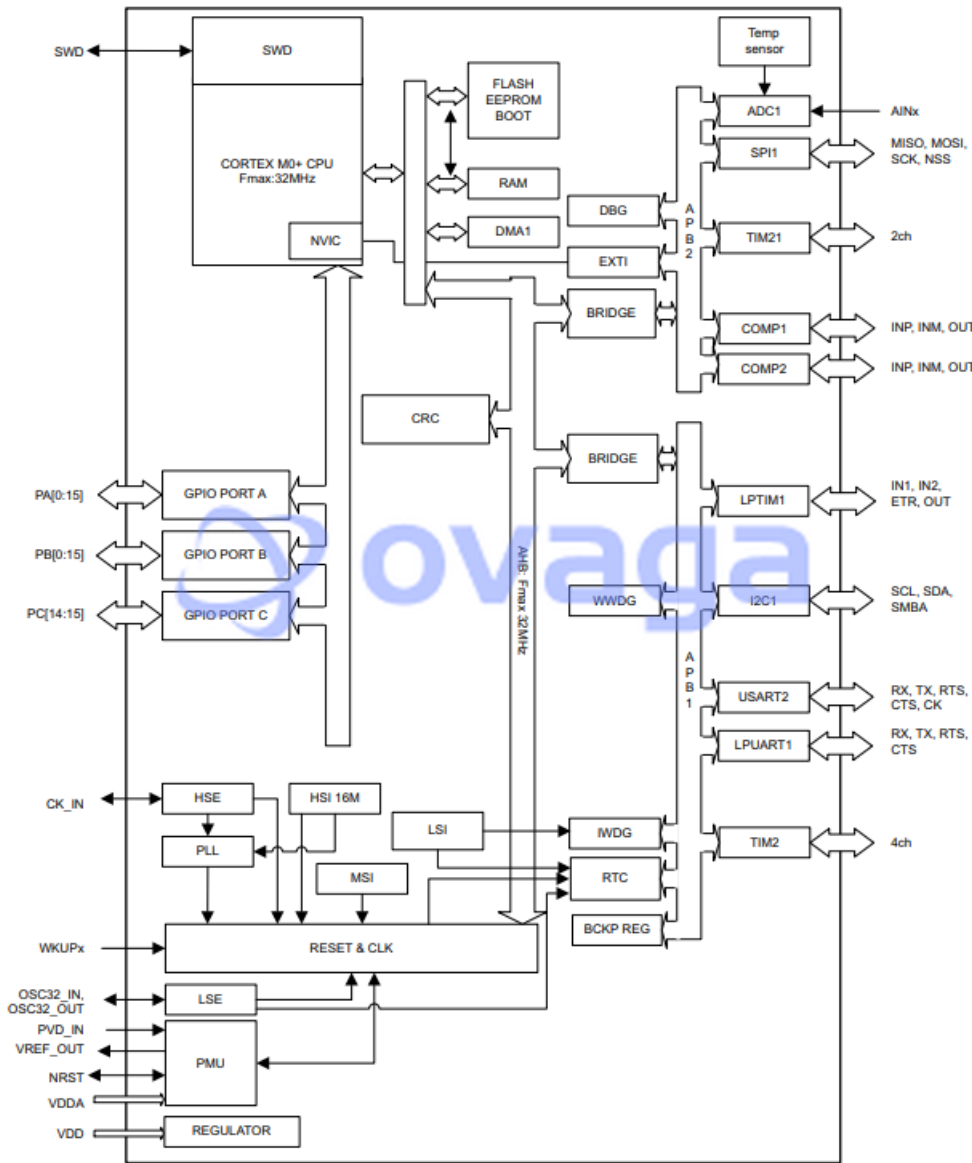
Please submit RFQ for STM32L011K4T6 or [Email to us: sales@ovaga.com](mailto:sales@ovaga.com) We will contact you in 12 hours.

[RFQ](#)

General Description

Ovaga has a large stock of STM32L011K4T6 Embedded Processors & Controllers from STMicroelectronics, Inc and we guarantee that they are original, brand new parts sourced directly from STMicroelectronics, Inc We can provide quality testing reports for STM32L011K4T6 upon your request. To obtain a quote, simply fill in the required quantity, contact name, and email address in the quick quote form on the right. Our sales representative will contact you within 12 hours.





Related Products



[STM32L151VET6](#)

STMicroelectronics, Inc
LQFP-100



[STM32F102C6T6A](#)

STMicroelectronics, Inc
LQFP48



[STM32L452RET6P](#)

STMicroelectronics, Inc
64-LQFP



[STM32L152VCT6](#)

STMicroelectronics, Inc
LQFP10014x14x1.4



[STM32L476JEY6TR](#)

STMicroelectronics, Inc
72-UFBGA, WLCSP



[STM32F429BGT6](#)

STMicroelectronics, Inc
208-LQFP



[STM32F446VCT6](#)

STMicroelectronics, Inc
100-LQFP



[STM32G071CBT6TR](#)

STMicroelectronics, Inc
48-LQFP