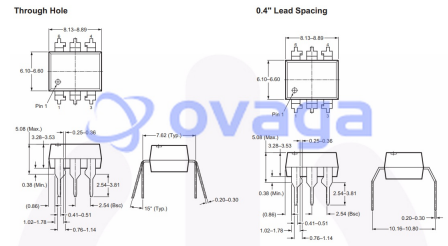


6-Pin DIP Photodarlington Output Optocoupler; Package: DIP-W; No of Pins: 6; Container: Bulk, Transistor Output Optocouplers Photodarlington



Images are for reference only

|               |                                       |
|---------------|---------------------------------------|
| Manufacturers | <a href="#">ON Semiconductor, LLC</a> |
| Package/Case  | PDIP-6                                |
| Product Type  | Transistor Output Optocouplers        |
| RoHS          | Green                                 |
| Lifecycle     |                                       |

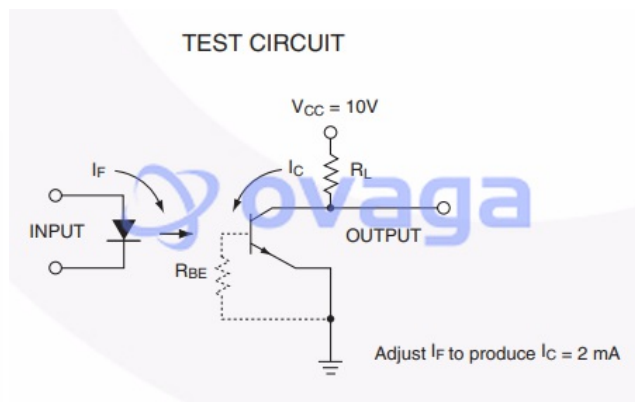
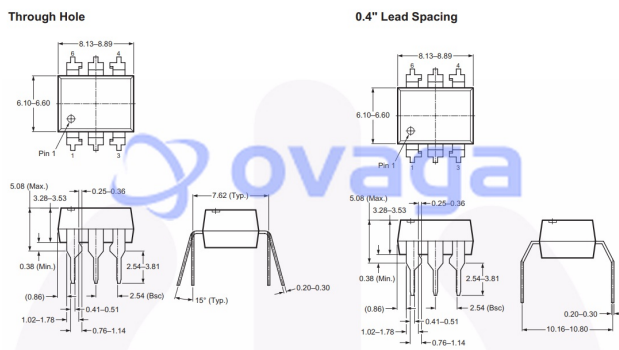
Please submit RFQ for H11B1VM or [Email to us: sales@ovaga.com](mailto:sales@ovaga.com) We will contact you in 12 hours.



## General Description

## Application

ONSEMI



## Related Products



[H11L1SR2VM](#)  
ON Semiconductor, LLC  
DIP-6

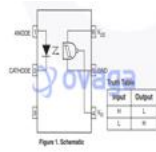


[H11G2SR2M](#)  
ON Semiconductor, LLC  
SOP6



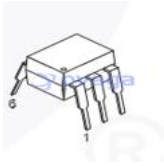
**H11G2M**

ON Semiconductor, LLC  
DIP6



**H11N1SR2M**

ON Semiconductor, LLC  
DIP-6 Gull Wing



**H11F1SR2M**

ON Semiconductor, LLC  
PDIP-6



**H11F3M**

ON Semiconductor, LLC  
PDIP-6



**H11AA1SR2M**

ON Semiconductor, LLC  
PDIP-6



**H11AA1SM**

ON Semiconductor, LLC  
PDIP-6