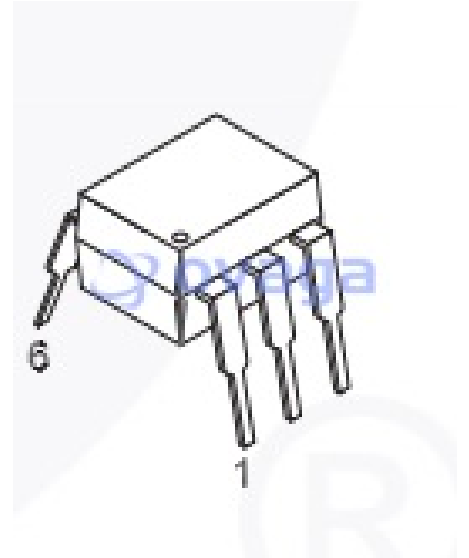


6-Pin DIP Bilateral Analog FET Output Optocoupler; Package: SMDIP-W; No of Pins: 6;
 Container: Bulk, Transistor Output Optocouplers FET Bilateral analog

Manufacturers	ON Semiconductor, LLC
Package/Case	PDIP-6
Product Type	Transistor Output Optocouplers
RoHS	Green
Lifecycle	



Images are for reference only

Please submit RFQ for H11F1SR2M or [Email to us: sales@ovaga.com](mailto:sales@ovaga.com) We will contact you in 12 hours.

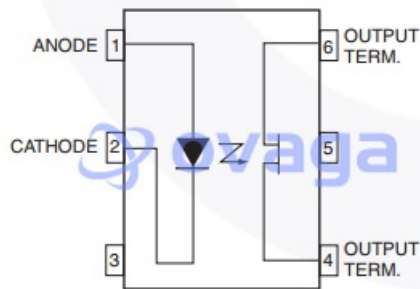
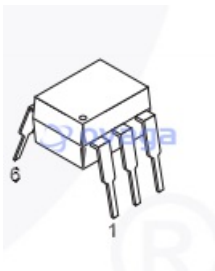
[RFQ](#)

General Description

Application

ONSEMI

Schematic



Related Products



H11L1SR2VM

ON Semiconductor, LLC
DIP-6



H11G2SR2M

ON Semiconductor, LLC
SOP6



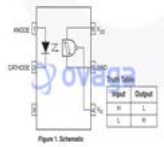
H11G2M

ON Semiconductor, LLC
DIP6



H11B1VM

ON Semiconductor, LLC
PDIP-6



H11N1SR2M

ON Semiconductor, LLC
DIP-6 Gull Wing



H11F3M

ON Semiconductor, LLC
PDIP-6



H11AA1SR2M

ON Semiconductor, LLC
PDIP-6



H11AA1SM

ON Semiconductor, LLC
PDIP-6